

TOSHIBA Bipolar Linear Integrated Circuit Silicon Monolithic

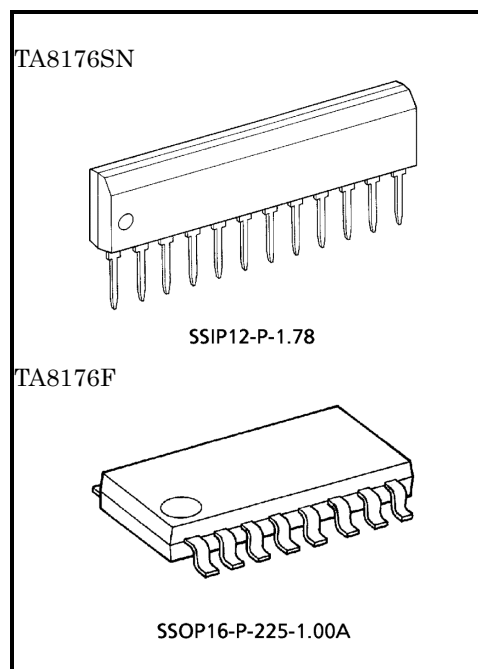
TA8176SN, TA8176F

FM Front End (for digital tuning system)

The TA8176SN, TA8176F are FM front end ICs which are designed for radio cassette players and music centers. They are suitable for digital tuning system applications.

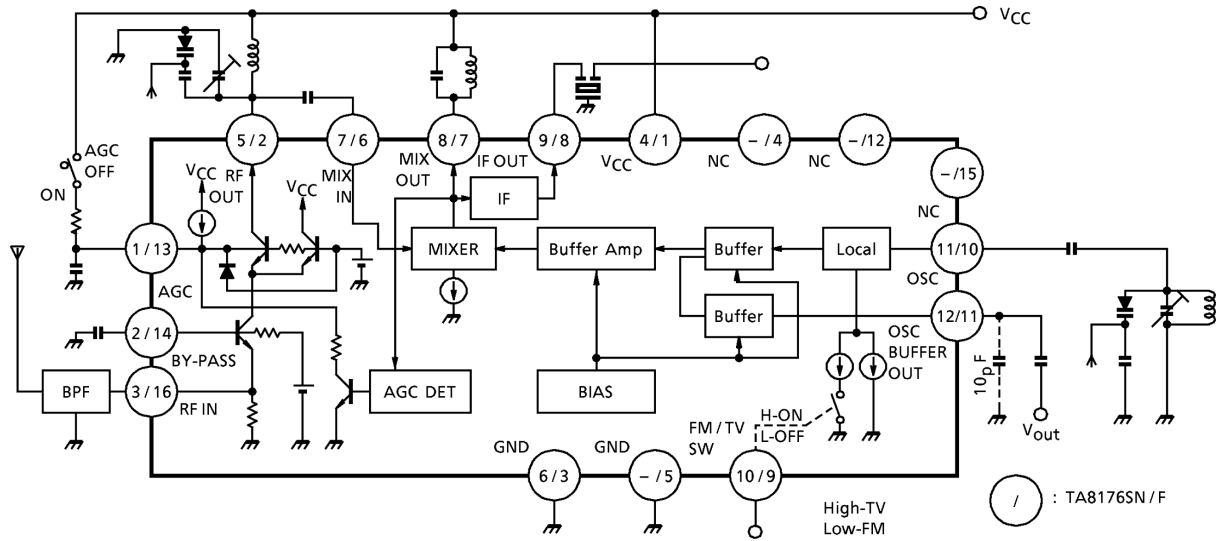
Features

- Improved inter-modulation characteristics by double balanced type mixer circuit.
- Built-in current share type AGC circuit for the RF amp.
- Applicable to double-tuning in radio frequency stage.
- Built-in local oscillator buffer output circuit for digital tuning system applications.
- Excellent overload characteristics for change oscillation frequency.
- It is available to TV band. (up to 220MHz)
- Built-in IF amp.
: $R_O = 330\Omega$ (typ.), $V_{out} = 80mV_{rms}$ (typ.)
- Operating supply voltage range
TA8176SN: $V_{CC (opr)} = 4\sim 14V$ ($T_a = 25^\circ C$)
TA8176F: $V_{CC (opr)} = 4\sim 8V$ ($T_a = 25^\circ C$)



Weight
SSIP12-P-1.78: 0.65g (typ.)
SSOP16-P-225-1.00A: 0.14g (typ.)

Block Diagram



Explanation Of Terminals (terminal voltage shows the typ. value at Ta = 25°C, VCC = -5V, AGC off, FM mode, and non-signal test circuit)

Pin No. (SN / F)	Symbol	Contents	Internal Circuit	DC Voltage (V)
1 / 13	AGC	AGC on / off switch V _{1 / 13} = V _{CC} → AGC off V _{1 / 13} = open → AGC on		4.7
2 / 14	By-pass (RF in)	By-Pass terminal for RF amp circuit. It is necessary to connect external capacitance. (RF amp input terminal. antenna tuning circuit is connected)		1.46
3 / 16	RF in (by-pass)	RF amp input terminal. (By-pass terminal for RF amp circuit. It is necessary to connect external capacitance)		0.76
4 / 1	V _{CC}	Power supply	—	5.0
5 / 2	RF out	RF amp output terminal. RF tuning circuit is connected	Compare with pin(1) / (13), (2) / (14), (3) / (16)	5.0

Pin No. (SN / F)	Symbol	Contents	Internal Circuit	DC Voltage (V)
6 / 3, 5	GND	GND terminal (pin(3): GND terminal of RF and mix circuit. Pin(5): GND terminal of OSC circuit. at flat package)	—	0
7 / 6	Mix in	Mixer input terminal		1.86
8 / 7	Mix out	Mixer output terminal mixer coil is connected.		5.0
9 / 8	IF out	IF amp output terminal.		4.7
10 / 9	FM / TV SW	FM / TV switch. At this terminal voltage is "H": High OSC voltage → TV mode "L": Low OSC voltage → FM mode		0
11 / 10	OSC	Local terminal. OSC tank circuit is connected.		4.9
12 / 11	OSC buffer out	OSC buffer output terminal		4.8
- / 4	NC	—	—	—
- / 12				
- / 15				

Maximum Ratings (Ta = 25°C)

Characteristic		Symbol	Rating	Unit
Supply voltage	TA8176SN	V _{CC}	15	V
	TA8176F		9	
Power dissipation	TA8176SN	P _D (Note)	750	mW
	TA8176F		350	
Operating temperature		T _{opr}	-25~75	°C
Storage temperature		T _{stg}	-55~150	°C

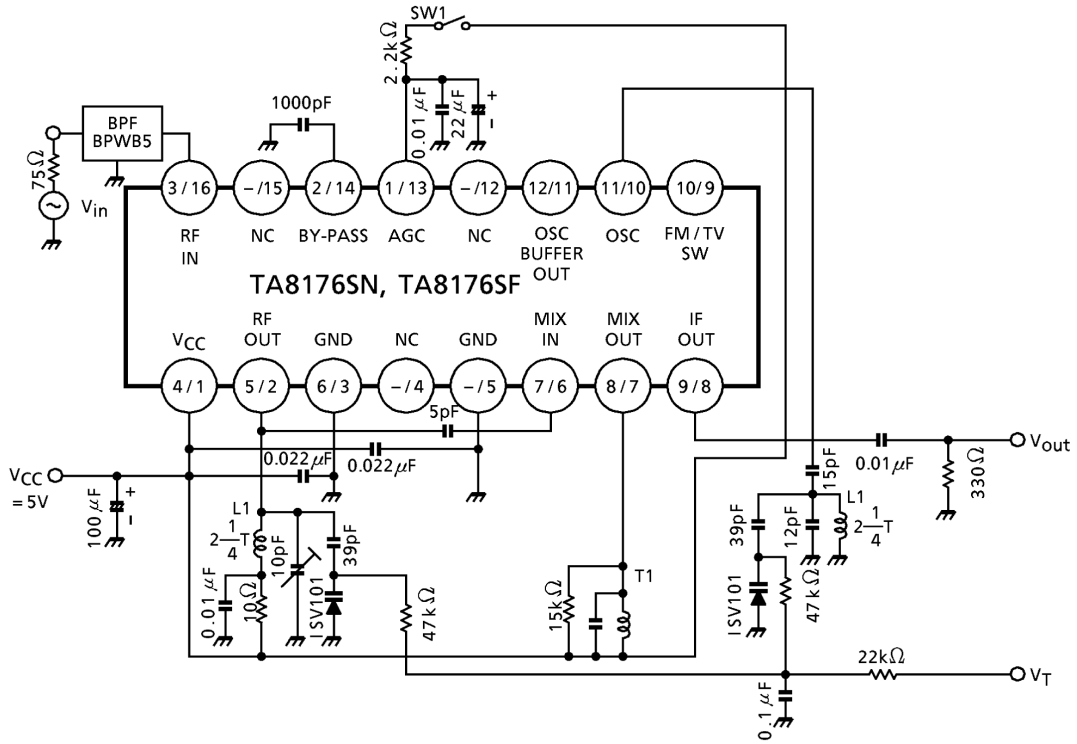
(Note) Derated above Ta = 25°C in the proportion of 6mW / °C for TA8176SN and of 2.8mW / °C for TA8176F.

Electrical Characteristics (unless otherwise specified, V_{CC} = 5V, Ta = 25°C, f = 98MHz, fm = 1kHz, Δf = ±22.5kHz, SW1 = on, SW2 = off)

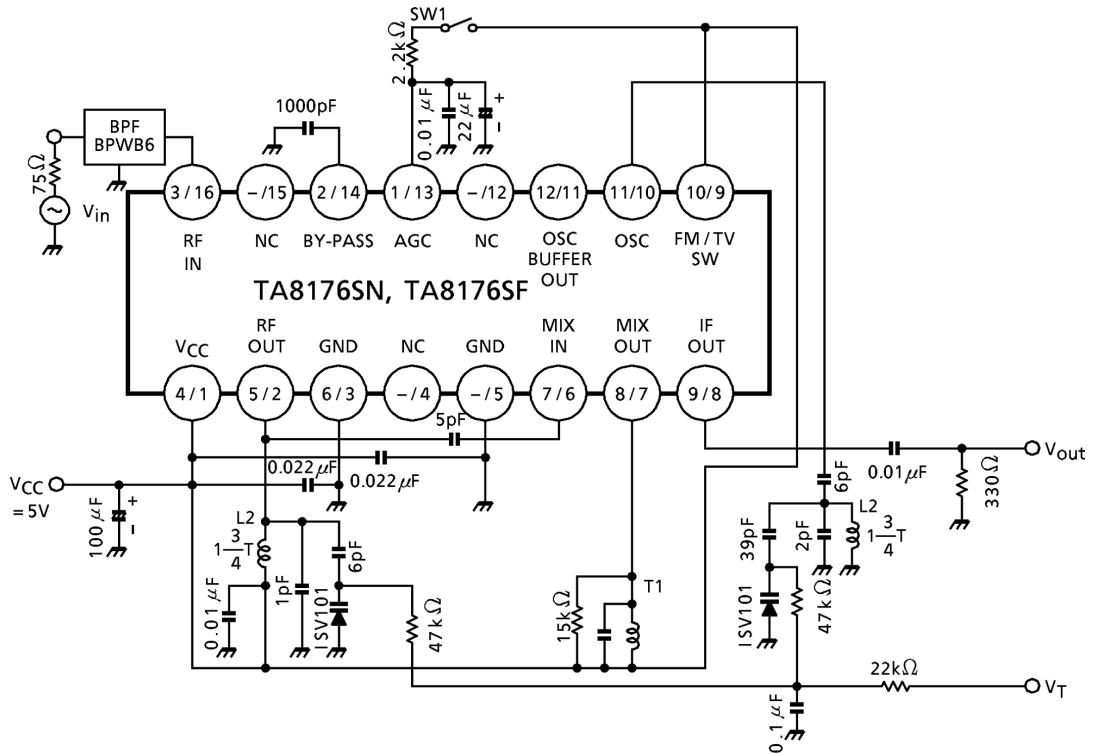
Characteristic	Symbol	Test Circuit	Test Condition	Min.	Typ.	Max.	Unit
Supply current	I _{CC1}	1	V _{in} = 0	—	16.5	22	mA
	I _{CC2}	2	V _{in} = 0	—	17.0	22.5	
Conversion gain	G _{C1}	1	f _{in} = 98MHz V _{in} = 50dBμV EMF G _{C1} = 20log ₁₀ $\frac{V_{out}}{V_{in}}$	37	41	—	dB
	G _{C2}	2	f _{in} = 180MHz V _{in} = 55dBμV EMF G _{C2} = 20log ₁₀ $\frac{V_{out}}{V_{in}}$	36	40	—	
Local OSC voltage	V _{osc1}	3	f _{OSC} = 108.7MHz	—	275	—	mV _{rms}
	V _{osc2}	3	f _{OSC} = 190.7MHz SW2 = On	—	150	—	
Local OSC buffer output voltage	V _{o (osc1)}	3	f _{OSC} = 108.7MHz	45	80	—	mV _{rms}
	V _{o (osc2)}	3	f _{OSC} = 190.7MHz SW2 = On	—	80	—	
IF amp. Output voltage	V _{out1}	1	f _{in} = 98MHz V _{in} = 80dBμV EMF	—	130	—	mV _{rms}
	V _{out2}	2	f _{in} = 98MHz V _{in} = 80dBμV EMF	—	130	—	
Local OSC stop voltage	V _{stop1}	3	f _{OSC} = 108.7MHz	—	2.5	2.8	V
	V _{stop2}	3	f _{OSC} = 190.7MHz SW2 = On	—	2.7	3.0	

Characteristic		Symbol	Test Circuit	Test Condition	Min.	Typ.	Max.	Unit
Pin(3) / (16) Impedance	Parallel input resistance	$r_{ip3 / 16}$	4	f = 98MHz	—	42	—	Ω
	Parallel input capacitance	$c_{ip3 / 16}$	4		—	-12	—	pF
Pin(5) / (2) Impedance	Parallel output resistance	$r_{op5 / 2}$	4		—	10	—	k Ω
	Parallel output capacitance	$c_{op 5 / 2}$	4		—	7.3	—	pF
Pin(7) / (6) Impedance	Parallel input resistance	$r_{ip7 / 6}$	4		—	2.7	—	k Ω
	Parallel input capacitance	$c_{ip7 / 6}$	4		—	6.7	—	pF
Pin(8) / (7) Impedance	Parallel output resistance	$r_{op8 / 7}$	4	f = 10.7MHz	—	39	—	k Ω
	Parallel output capacitance	$c_{op 8 / 7}$	4		—	6.7	—	pF
Pin(12) / (11) Impedance	Parallel output resistance	$r_{op12 / 11}$	4	f = 108MHz	—	95	—	Ω
	Parallel output capacitance	$c_{op 12 / 11}$	4		—	1.4	—	pF

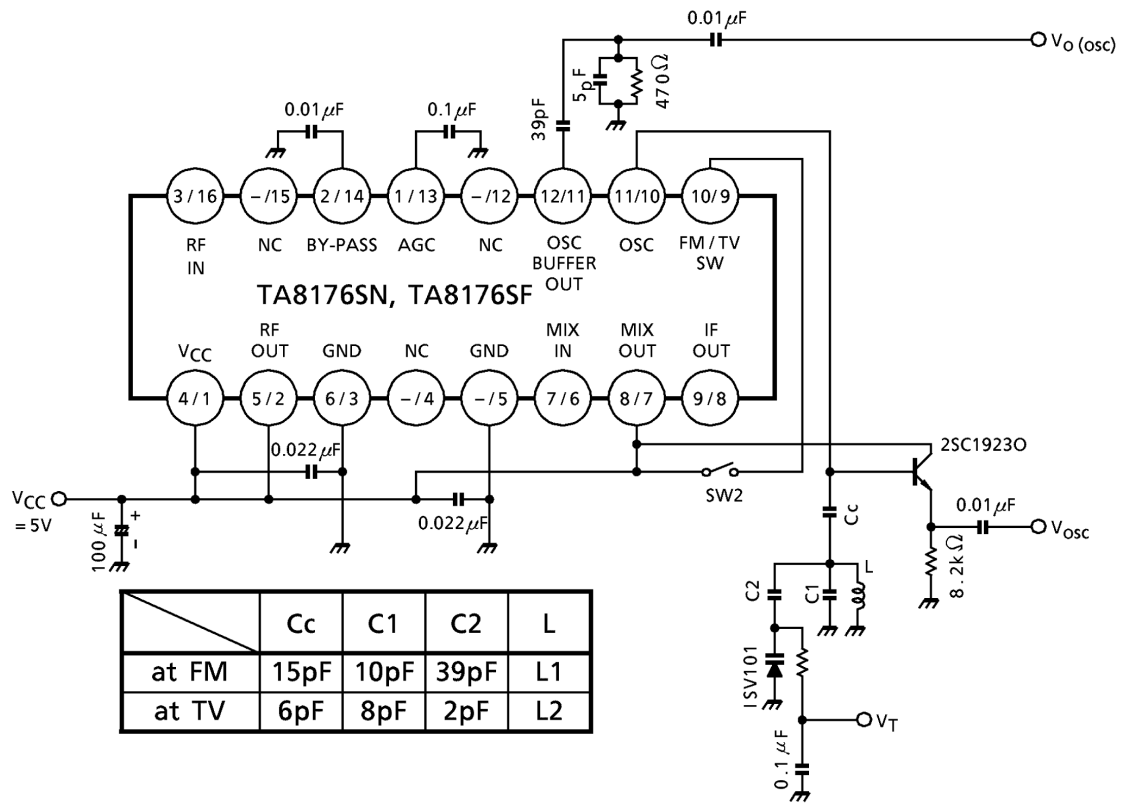
Test Circuit 1



Test Circuit 2



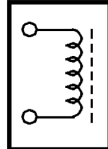
Test Circuit 3



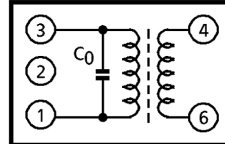
Coil Data

Coil No.	Stage	Test Freq	L (μH)	C ₀ (pF)	Q ₀	Turns				Wire (mm)	Remarks
						(1) - (2)	(2) - (3)	(1) - (3)	(4) - (6)		
L1	FM RF / OSC	100MHz	0.06		100		2 $\frac{1}{4}$			φ 0.5UEW	Within core
L2	TV RF / OSC	100MHz	0.045		100		1 $\frac{3}{4}$			φ 0.5UEW	Within core
T1	FM IFT	10.7MHz		75	100			13	2	φ 0.16UEW	SUMIDA 2153-414-041A

L1, L2

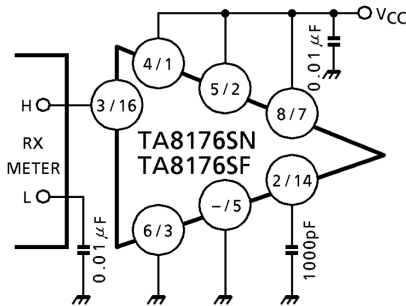


T1

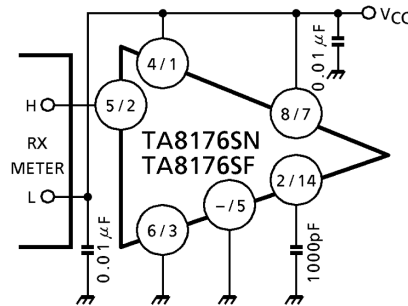


Test Circuit 4

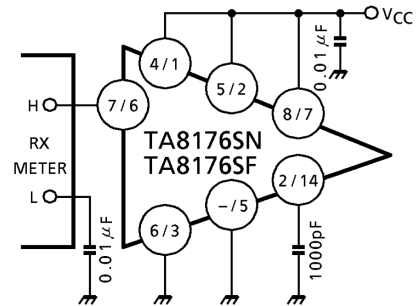
Pin ③ / ⑬ input impedance



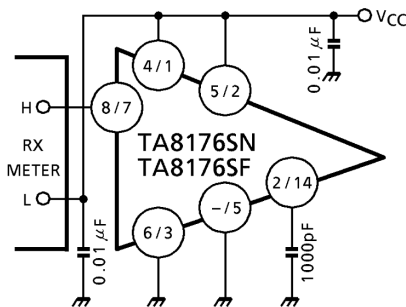
Pin ⑤ / ② output impedance



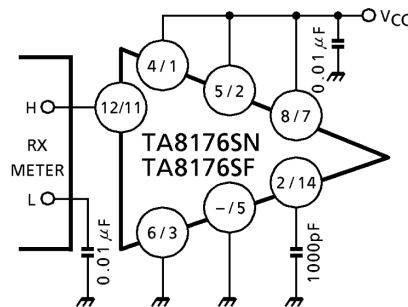
Pin ⑦ / ⑥ input impedance

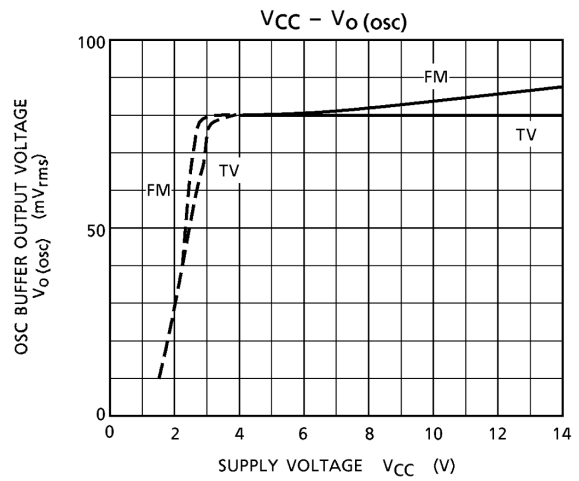
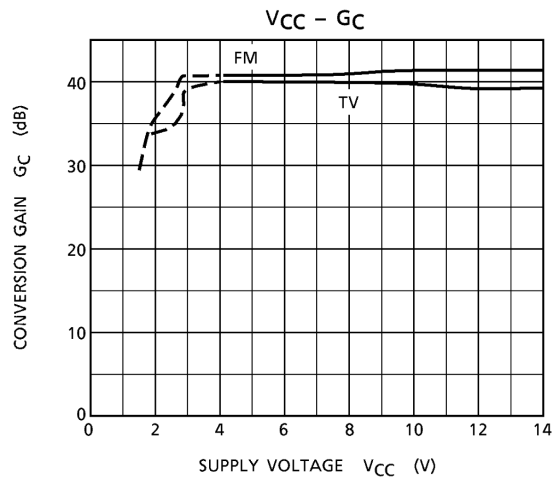
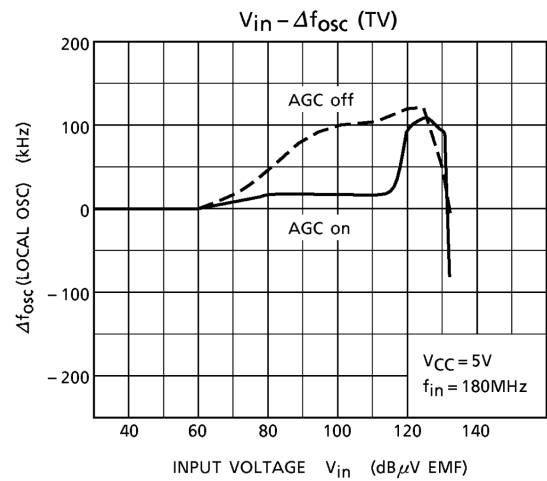
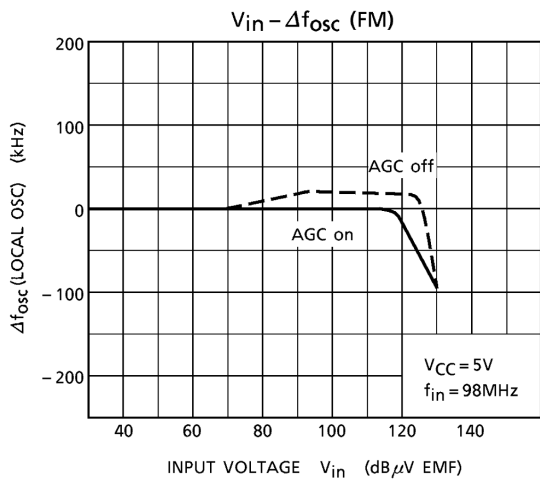
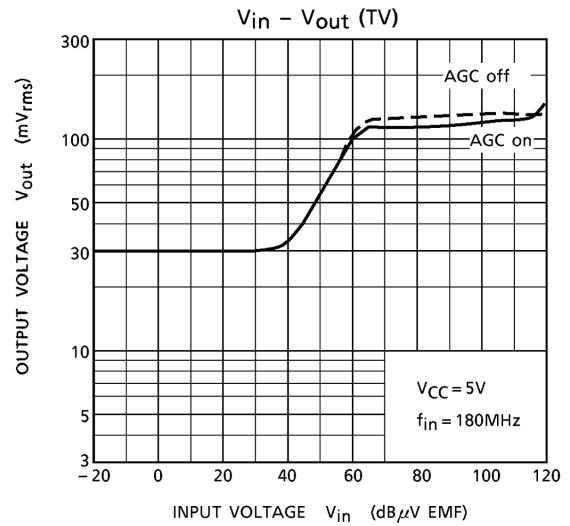
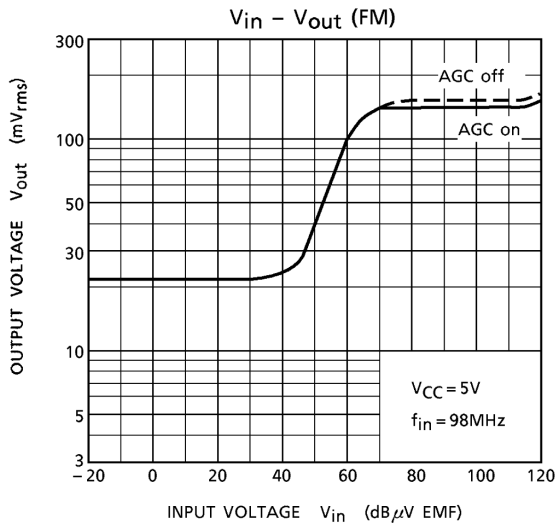


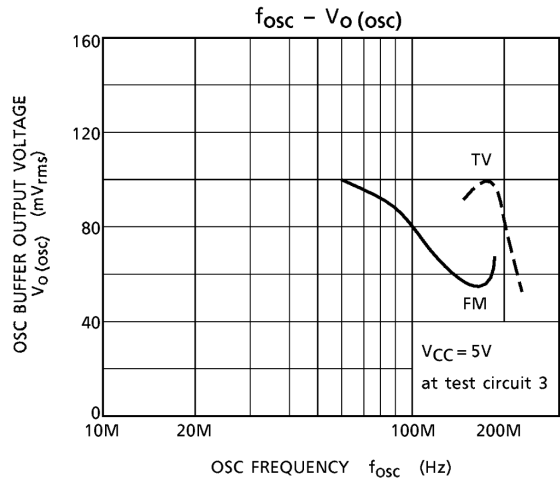
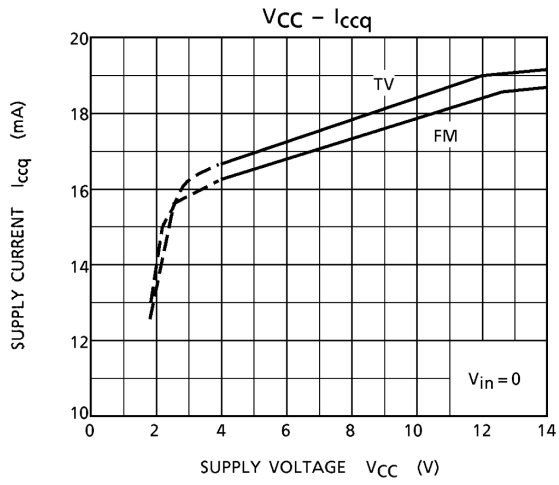
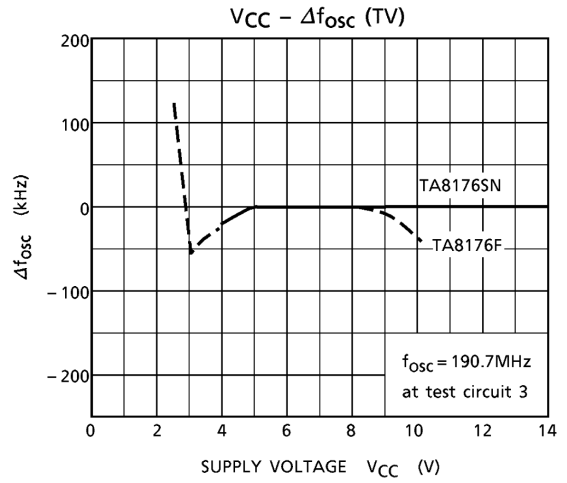
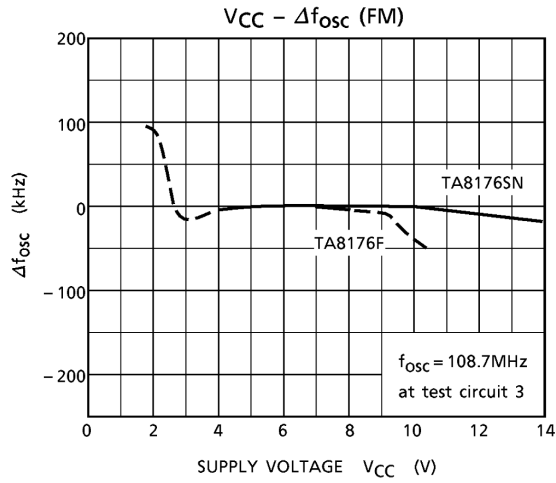
Pin ⑧ / ⑦ output impedance



Pin ⑫ / ⑪ output impedance



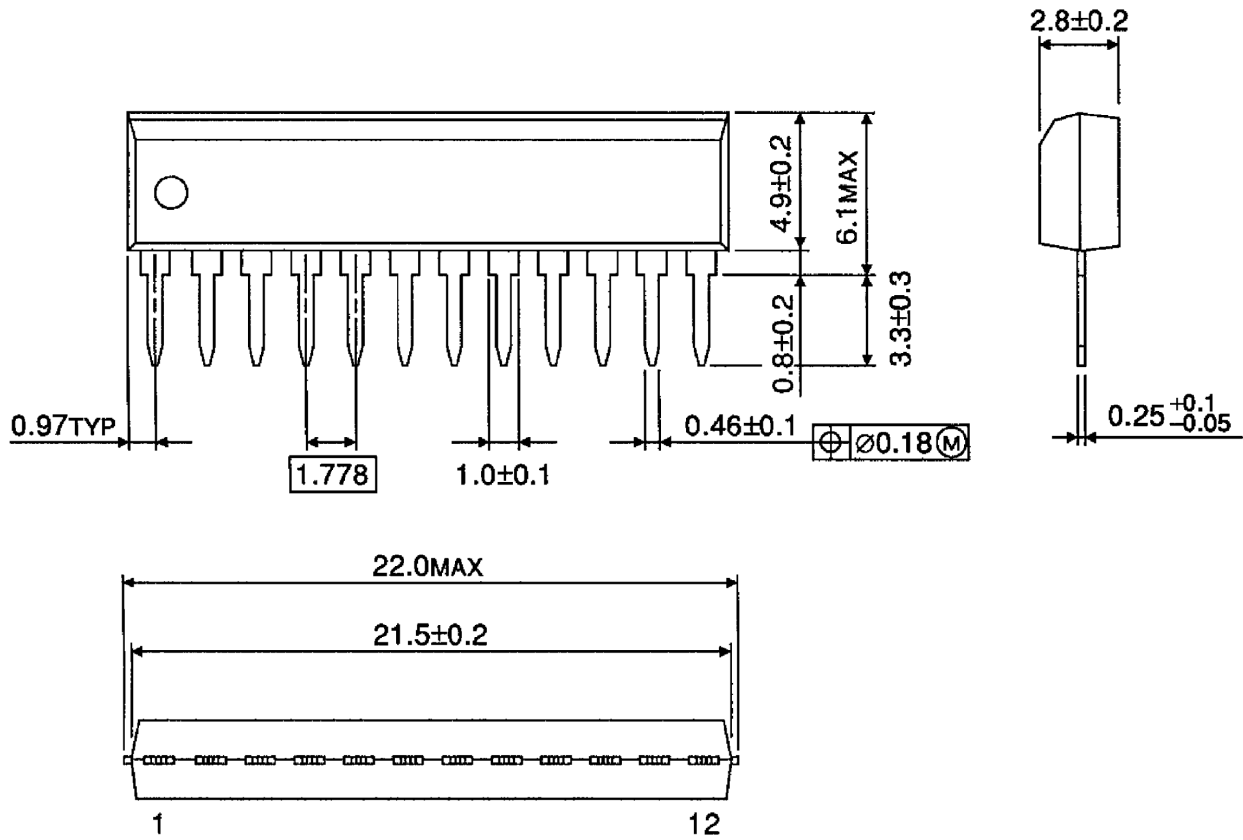




Package Dimensions

SSIP12-P-1.78

Unit : mm

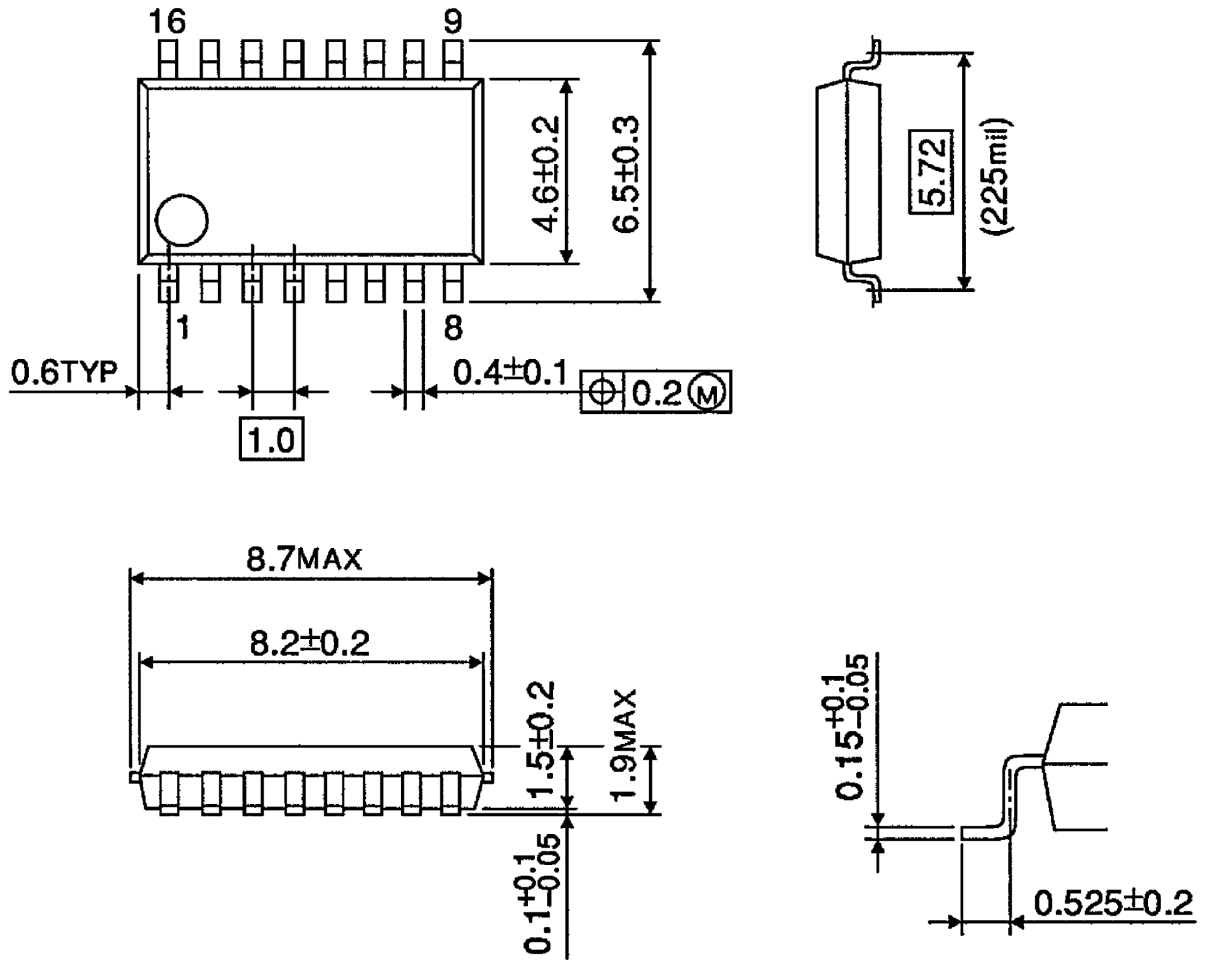


Weight: 0.65g (typ.)

Package Dimensions

SSOP16-P-225-1.00A

Unit : mm



Weight: 0.14g (typ.)

RESTRICTIONS ON PRODUCT USE

000707EBA

- TOSHIBA is continually working to improve the quality and reliability of its products. Nevertheless, semiconductor devices in general can malfunction or fail due to their inherent electrical sensitivity and vulnerability to physical stress. It is the responsibility of the buyer, when utilizing TOSHIBA products, to comply with the standards of safety in making a safe design for the entire system, and to avoid situations in which a malfunction or failure of such TOSHIBA products could cause loss of human life, bodily injury or damage to property.
In developing your designs, please ensure that TOSHIBA products are used within specified operating ranges as set forth in the most recent TOSHIBA products specifications. Also, please keep in mind the precautions and conditions set forth in the "Handling Guide for Semiconductor Devices," or "TOSHIBA Semiconductor Reliability Handbook" etc..
- The TOSHIBA products listed in this document are intended for usage in general electronics applications (computer, personal equipment, office equipment, measuring equipment, industrial robotics, domestic appliances, etc.). These TOSHIBA products are neither intended nor warranted for usage in equipment that requires extraordinarily high quality and/or reliability or a malfunction or failure of which may cause loss of human life or bodily injury ("Unintended Usage"). Unintended Usage include atomic energy control instruments, airplane or spaceship instruments, transportation instruments, traffic signal instruments, combustion control instruments, medical instruments, all types of safety devices, etc.. Unintended Usage of TOSHIBA products listed in this document shall be made at the customer's own risk.
- The products described in this document are subject to the foreign exchange and foreign trade laws.
- The information contained herein is presented only as a guide for the applications of our products. No responsibility is assumed by TOSHIBA CORPORATION for any infringements of intellectual property or other rights of the third parties which may result from its use. No license is granted by implication or otherwise under any intellectual property or other rights of TOSHIBA CORPORATION or others.
- The information contained herein is subject to change without notice.