

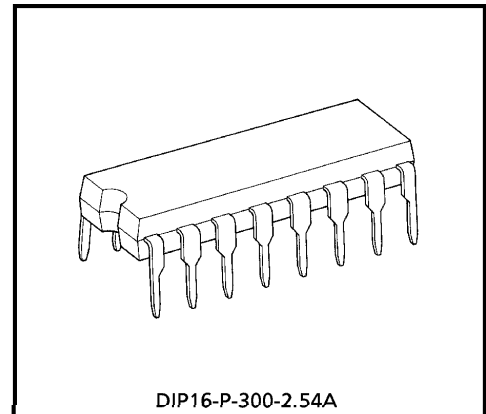
TOSHIBA BIPOLAR LINEAR INTEGRATED CIRCUIT SILICON MONOLITHIC

TA8637BP

VHF MODULATOR FOR VCR OR VDP

FEATURES

- Video clamp
- White clip
- Main carrier oscillator
- Main carrier attenuator
- Video Modulator
- Sound Modulator
- Sound FM Modulator
- Channel Switch
- Low power operation
- Adjustable output level and V/A ratio with external resistance.
- Minimum number of external parts required.
- Regulator circuit is included.
- Operating voltage range : 4.5V~5.5V, Typ. 5V
- Suggested operating voltage : 4.75V~5.25V, Typ. 5V

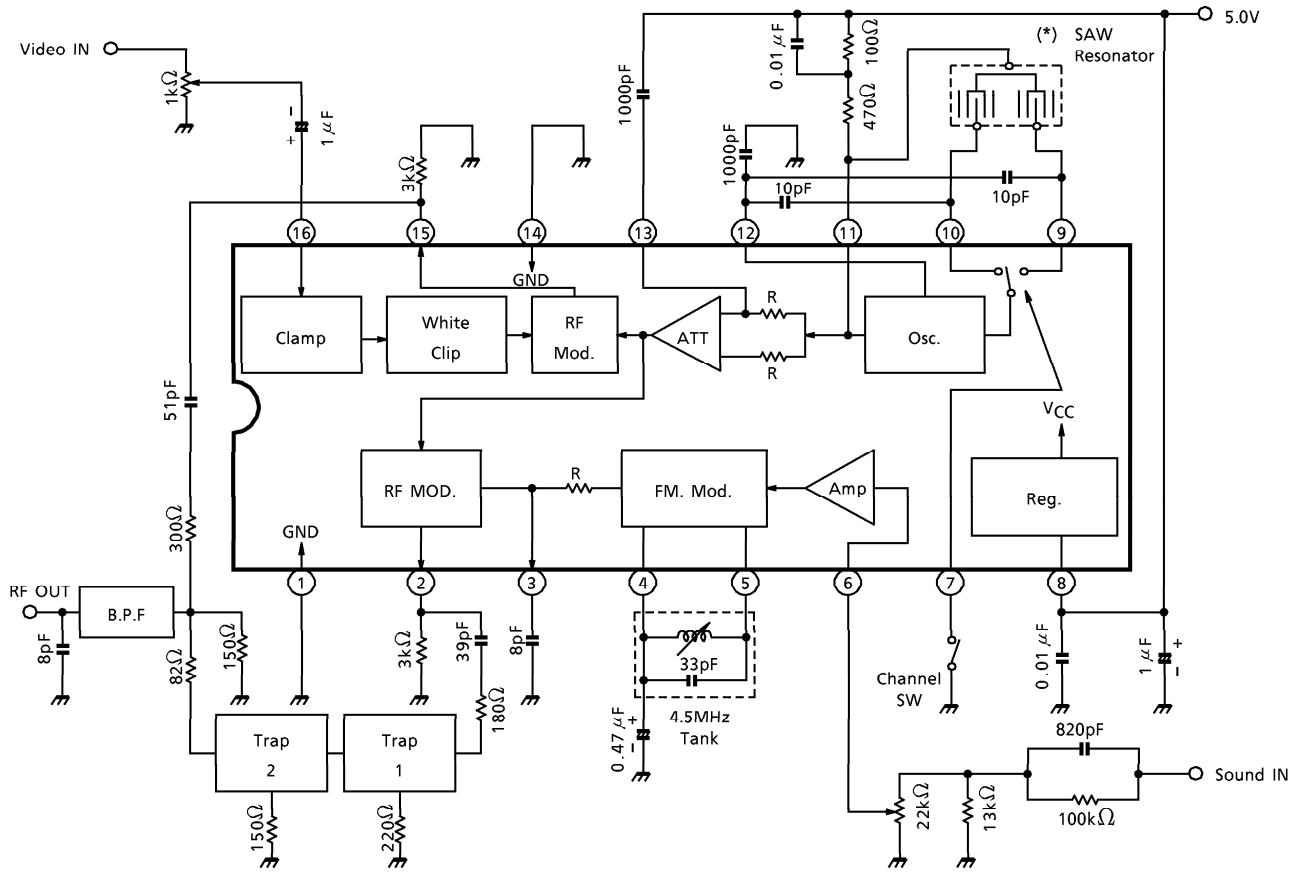


Weight : 1.11g (Typ.)

980910EBA1

- TOSHIBA is continually working to improve the quality and the reliability of its products. Nevertheless, semiconductor devices in general can malfunction or fail due to their inherent electrical sensitivity and vulnerability to physical stress. It is the responsibility of the buyer, when utilizing TOSHIBA products, to observe standards of safety, and to avoid situations in which a malfunction or failure of a TOSHIBA product could cause loss of human life, bodily injury or damage to property. In developing your designs, please ensure that TOSHIBA products are used within specified operating ranges as set forth in the most recent products specifications. Also, please keep in mind the precautions and conditions set forth in the TOSHIBA Semiconductor Reliability Handbook.
- The products described in this document are subject to the foreign exchange and foreign trade laws.
- The information contained herein is presented only as a guide for the applications of our products. No responsibility is assumed by TOSHIBA CORPORATION for any infringements of intellectual property or other rights of the third parties which may result from its use. No license is granted by implication or otherwise under any intellectual property or other rights of TOSHIBA CORPORATION or others.
- The information contained herein is subject to change without notice.

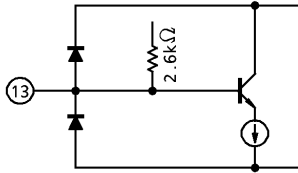
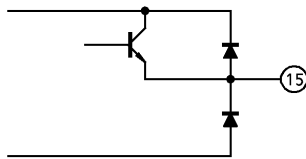
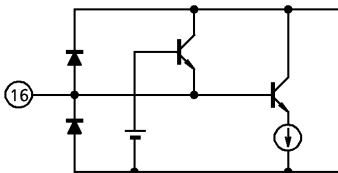
BLOCK DIAGRAM & APPLICATION CIRCUIT



(* See SAW Resonator Technical Data.

TERMINAL CHARACTERISTICS

NO.	FUNCTION	TYP. DC VOLTAGE	INTERFACE CIRCUIT	COMMENT
1	GND1	(0V)		SOUND GND
2	SOUND RF OUTPUT	3.1V		OPEN EMITTER
3	SOUND RF MODULATOR CAPACITOR	2.8V		L.P.F. OF SOUND HARMONICS SPURIOUS
4 5	4.5MHz TANK COIL	4.2V		—
6	SOUND INPUT	0V		—
7	CHANNEL SW	3.2V		HIGH (OPEN) : PIN9 LOW : PIN10
8	VCC	(5.0V)		—
9	SAW LOW CHANNEL	3.5V (2.8V)		—
10	SAW HIGH CHANNEL	3.5V (2.8V)		
11	SAW COMMON	4.6V		
12	RF OSCILLATOR CAPACITOR	2.8V		

NO.	FUNCTION	TYP. DC VOLTAGE	INTERFACE CIRCUIT	COMMON
13	VIDEO RF MODULATOR CAPACITOR	3.9V		
14	GND2	(0V)		Video & RF GND
15	VIDEO RF OUTPUT	3.0V		OPEN EMITTER
16	VIDEO INPUT	3.6V (Sync DC)		

MAXIMUM RATINGS (Ta = 25°C)

CHARACTERISTIC	SYMBOL	RATING	UNIT
Supply Voltage	V _{CC}	7	V
Power Dissipation	P _D (Note)	750	mW
Input Signal Voltage	e _{in}	2.5	V _{p-p}
Input Voltage at Pin 7	V _{in}	GND - 0.3 ~ V _{CC} + 0.3	V
Operating Temperature	T _{opr}	- 10 ~ 70	°C
Storage Temperature	T _{stg}	- 55 ~ 150	°C

(Note) Derated above Ta = 25°C in the proportion of 6mW / °C.

ELECTRICAL CHARACTERISTICS ($V_{CC} = 5.0V$, $T_a = 25^\circ C$)

CHARACTERISTIC	SYMBOL	TEST CIR-CUIT	TEST CONDITION	MIN.	TYP.	MAX.	UNIT	
Supply Current	I_{CC}	—	$S_1 = 2, S_2 = 1, S_3 = 2$	10	14	20	mA	
Video RF Output Level	$V_O(f_{p1})$	—	$S_2 = 1, S_3 = 2$ (Note 1) V_{i1} : No input signal V_{O1} : Output level	$S_1 = 2$	90	92	94	dB μ V
	$V_O(f_{p2})$	—		$S_1 = 1$				
Video RF Output Level Temperature Drift	$\Delta V_O(f_{p1})$	—	$V_O(f_{p1})$ ($T_a = -10 \sim 70^\circ C$) - $V_O(f_{p1})$ ($T_a = 25^\circ C$)	—	—	± 2	dB	
	$\Delta V_O(f_{p2})$	—		$V_O(f_{p2})$ ($T_a = -10 \sim 70^\circ C$) - $V_O(f_{p2})$ ($T_a = 25^\circ C$)	—	—		± 2
Video Modulation Factor	m_{p1}	1	$S_2 = 1, S_3 = 2$ $V_{i1} = 0.45V_{p-p}$, white	$S_1 = 2$	72	77	82	%
	m_{p2}			$S_1 = 1$				
Video Modulation Factor Temperature Stability	Δm_{p1}	1	m_{p1} ($T_a = -10 \sim 70^\circ C$) - m_{p1} ($T_a = 25^\circ C$)	—	—	± 3	%	
	Δm_{p2}	1		m_{p2} ($T_a = -10 \sim 70^\circ C$) - m_{p2} ($T_a = 25^\circ C$)	—	—		± 3
Video Modulation Factor Difference	Δm_p	1	$m_{p1} - m_{p2}$	—	—	± 1	%	
Max. Video Modulation Factor	$m_{p2}(\text{Max.})$	1	$S_1 = 1, S_2 = 1, S_3 = 2$ $V_{i1} = 2.0V_{p-p}$, white	89	94	98	%	
Max. Video Modulation Temperature Drift	$\Delta m_{p2}(\text{Max.})$	1	$T_a = -10 \sim 70^\circ C$ $m_{p2}(\text{Max.})$	89	94	98	%	
Defferential Gain	DG_1	2	$S_2 = 1, S_3 = 2,$ $V_{i1} = 0.45V_{p-p}$, Stair case, (Note 2)	$S_1 = 2$	—	± 2	± 5	%
	DG_2			$S_1 = 1$				
Defferential Phase	DP_1	2	$S_2 = 1, S_3 = 2,$ $V_{i1} = 0.45V_{p-p}$, Stair case, (Note 2)	$S_1 = 2$	—	± 2	± 5	°
	DP_2			$S_1 = 1$				
Sound RF Output Level	$V_O(f_{s1})$	—	$S_2 = 1, S_3 = 2$ (Note 1) V_{O3} : Sound RF level	$S_1 = 2$	81	83	86	dB μ V
	$V_O(f_{s2})$			$S_1 = 1$				
Sound FM Temperature Drift	Δf_s	—	$S_1 = 1, S_2 = 2, S_3 = 2$ (Note 3) f_s ($T_a = 0 \sim 60^\circ C$) - f_s ($T_a = 25^\circ C$)	—	—	± 10	kHz	
Sound FM Modulation Sensitivity	β_s	—	$S_1 = 1, S_2 = 2, S_3 = 1$ (Note 4)	0.36	0.43	0.52	kHz / mV	
Sound Total Harmonic Distortion	THD	—	$S_1 = 1, S_2 = 2, S_3 = 3$ $V_{i2} = 1\text{kHz}$ (Note 5)	—	0.2	1.0	%	

- (Note 1) Measure RF level by spectrum analyzer (Input impedance = 50) and calculate measurement data V_O (dBm) by

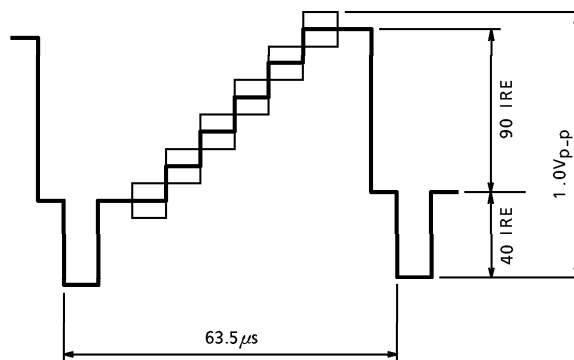
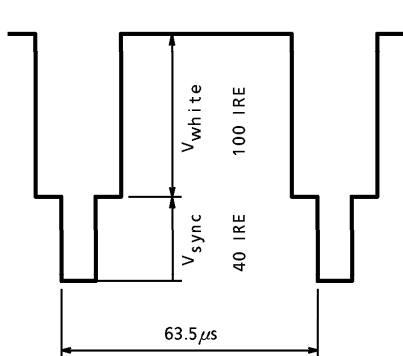
$$\text{Output Level (dB}\mu\text{V)} = V_O + 107 + 16 \text{ (dB}\mu\text{V)}$$
- (Note 2) Measure after that demodulated by the standard demodulator (For example Tektronix 1450).
- (Note 3) Adjust a sound FM center frequency to 4.500MHz at $T_a = 25^\circ\text{C}$, then measure a frequency drift at $T_a = 0\sim 60^\circ\text{C}$ for at $T_a = 25^\circ\text{C}$.
 This spec (Δf_s) does not include TANK temperature coefficienty.
- (Note 4) Connect $V_a + 0.2$ (V) and $V_a - 0.2$ (V) to V_1 (V_a ; #6 terminals open voltage) then measure each frequency and calculate by

$$\beta_s = \frac{\text{Frequency difference between } V_1 = V_a + 0.2 \text{ and } V_2 = V_a - 0.2}{0.4}$$

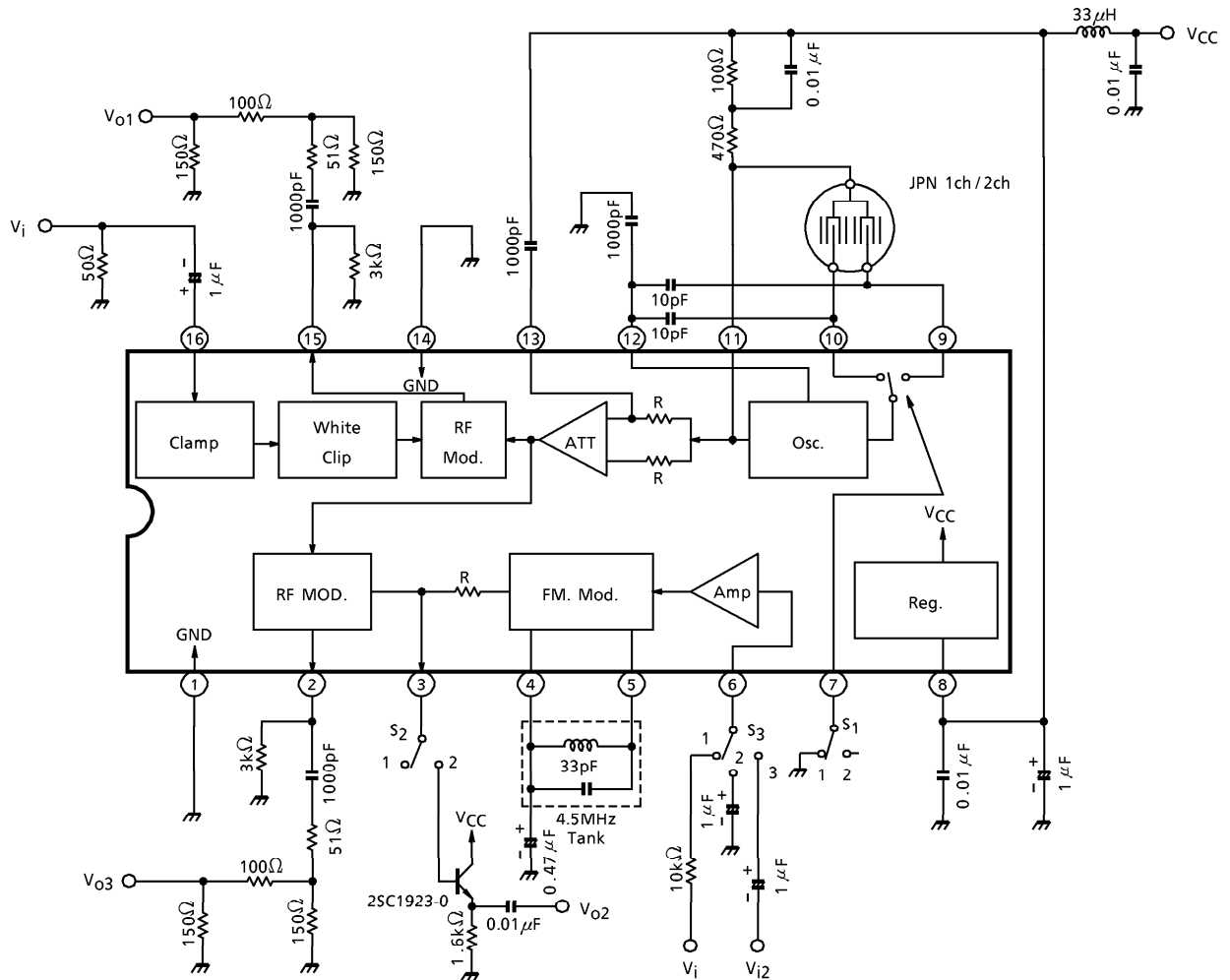
- (Note 5) Adjust V_{i2} level so that FM deviation become $\pm 20\text{kHz}$, then measure THD after that demodulate by standard demodulator (for example tektronix 1450)

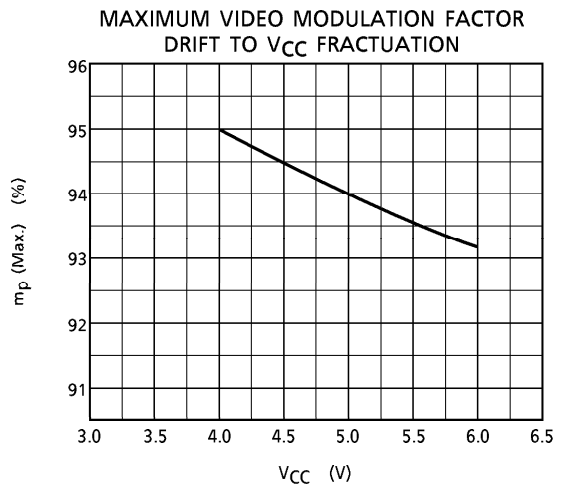
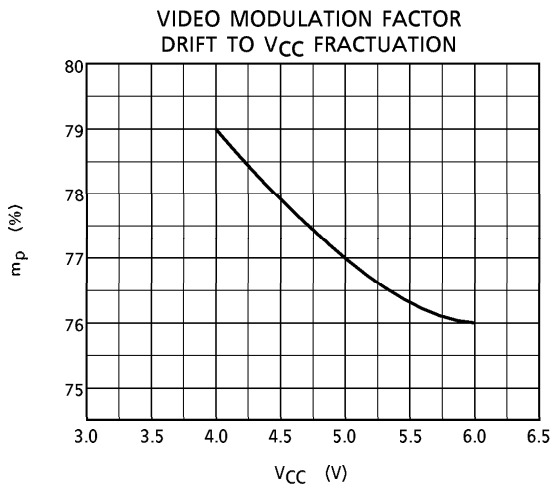
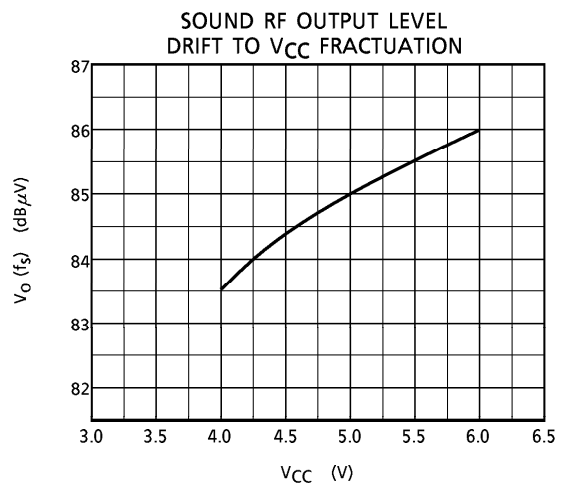
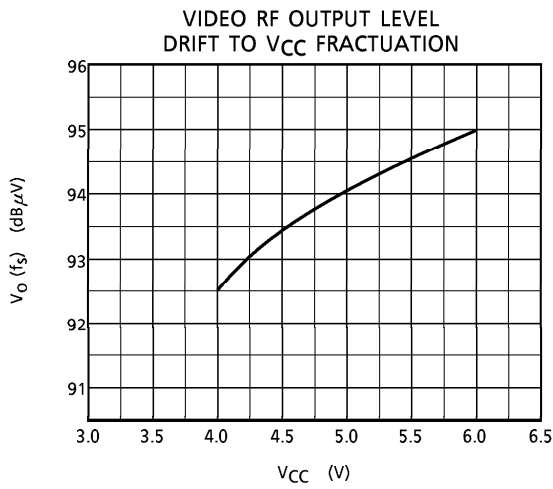
Input wave form
 White signal

Stair case signal
 APL 50% sub carrier 20 IRE



TEST CIRCUIT





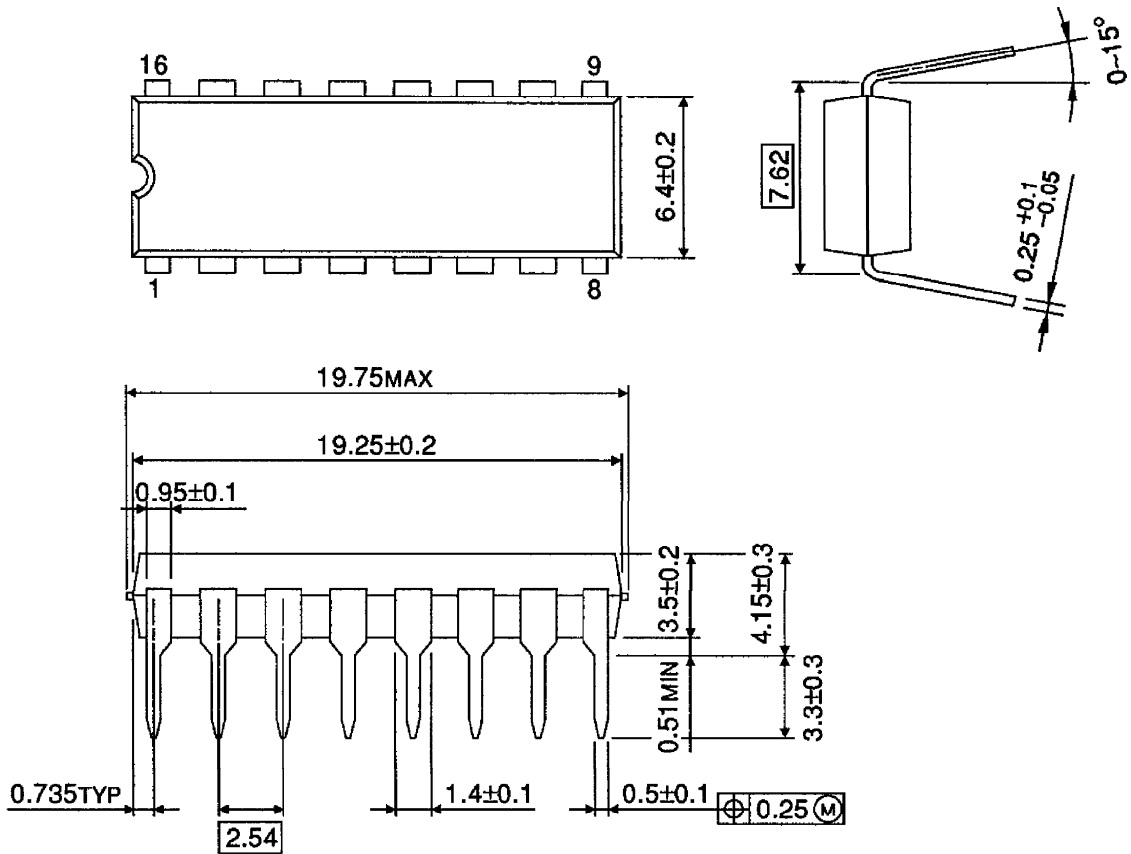
SOUND, VIDEO MODULATION RANK CLASSIFICATION

RANK	SOUND FM MODULATION SENSITIVITY				VIDEO MODULATION FACT				MARK
	MIN	TYP.	MAX	UNIT	MIN	TYP.	MAX	UNIT	
1	0.36	0.39	0.42	kHz / mV	72	75	78	%	Green
2	0.39	0.43	0.46		72	75	78		Yellow
3	0.44	0.48	0.52		72	75	78		Red
4	0.36	0.39	0.42		76	79	82		Blue
5	0.39	0.43	0.46		76	79	82		Orange
6	0.44	0.48	0.52		76	79	82		Purple

(Note) TA8637BP does not receive the rank classification specification when ordering.

OUTLINE DRAWING
DIP16-P-300-2.54A

Unit : mm



Weight : 1.11g (Typ.)