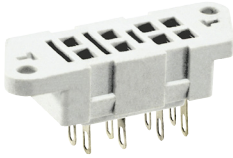


# Sockets and accessories

## G2M

For R2M

Solder terminals  
40,5 x 14 x 10,5 mm  
Two poles  
5 A, 250 V AC



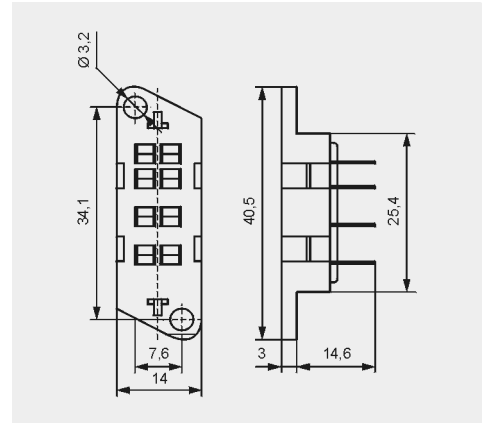
G4 1050



G2M 1020

### Accessories

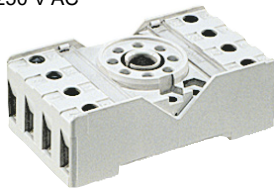
### Dimensions



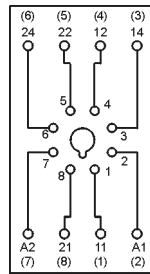
## PZ8

For R15 - 2 CO

Screw terminals  
Max. tightening moment  
for the terminal: 0,7 Nm  
35 mm rail mount  
acc. to EN 60715  
or on panel mounting  
68,2 x 38 x 24,2 mm  
Two poles  
10 A, 250 V AC



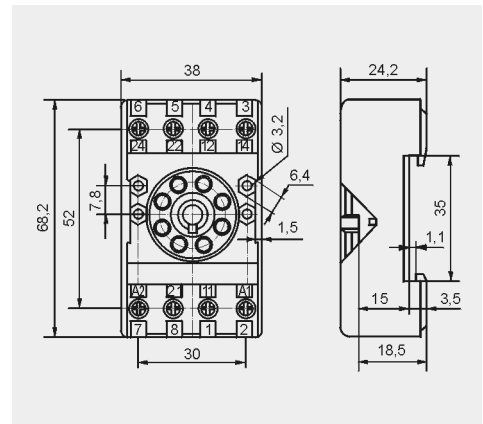
### Connection diagram



PZ11 0031

### Accessories

### Dimensions



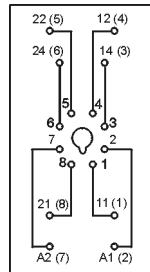
## GZU8

For R15 - 2 CO

Screw terminals  
Max. tightening moment  
for the terminal: 0,7 Nm  
35 mm rail mount  
acc. to EN 60715  
82 x 35,5 x 25,7 mm  
Two poles  
10 A, 250 V AC



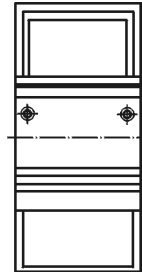
### Connection diagram



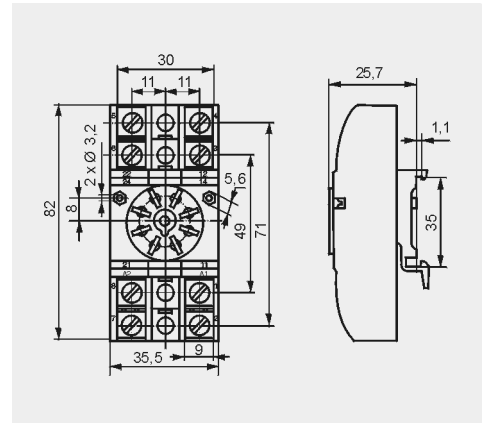
GZU 1052

### Accessories

### Adaptor



### Dimensions



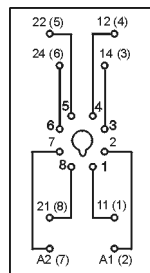
## GZ8

For R15 - 2 CO

Screw terminals  
Max. tightening moment  
for the terminal: 0,7 Nm  
On panel mounting  
82,8 x 35,5 x 22,5 mm  
Two poles  
10 A, 250 V AC



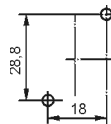
### Connection diagram



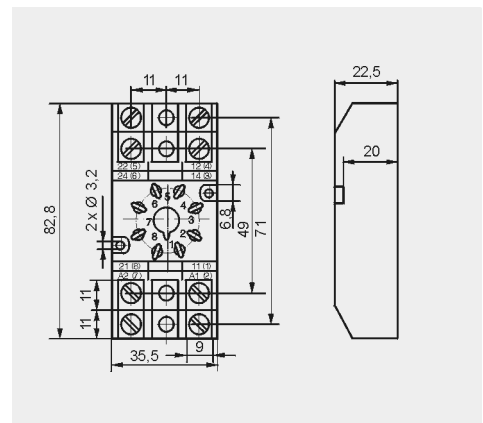
GZU 1050

### Accessories

### Mounting dimensions



### Dimensions



⚡ Have obtained LR Type Approval Certificate (Lloyd's Register).