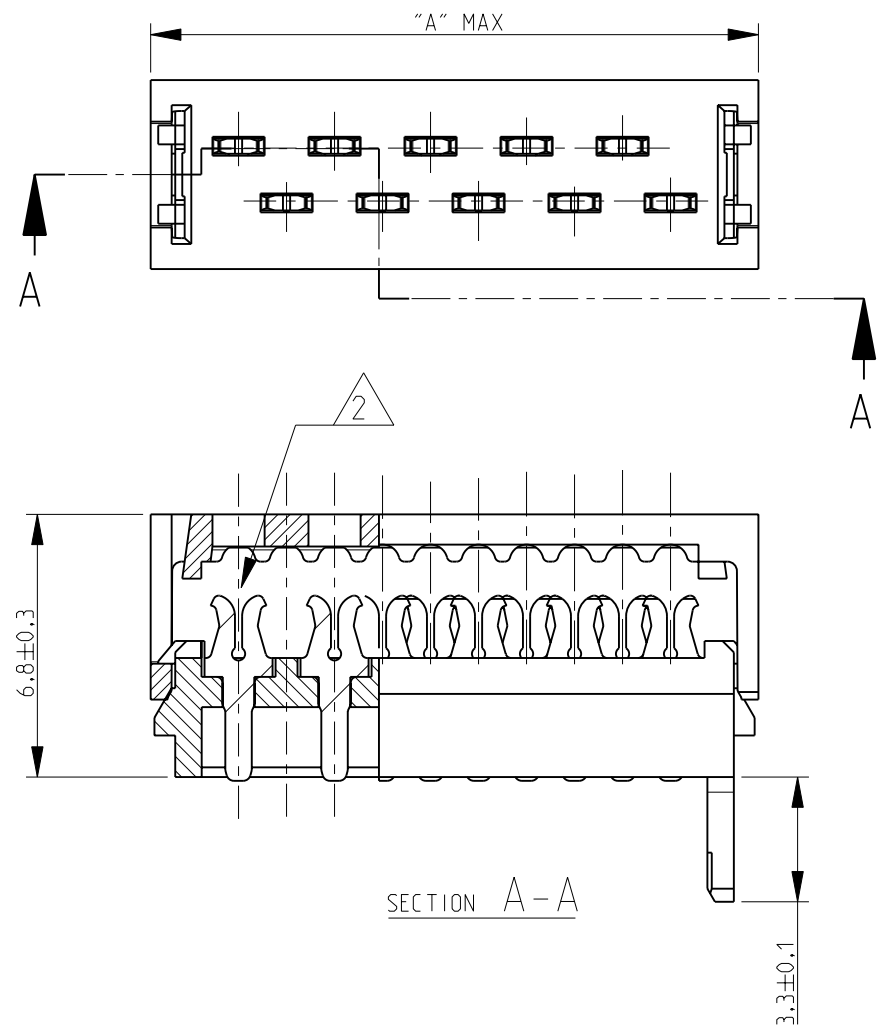
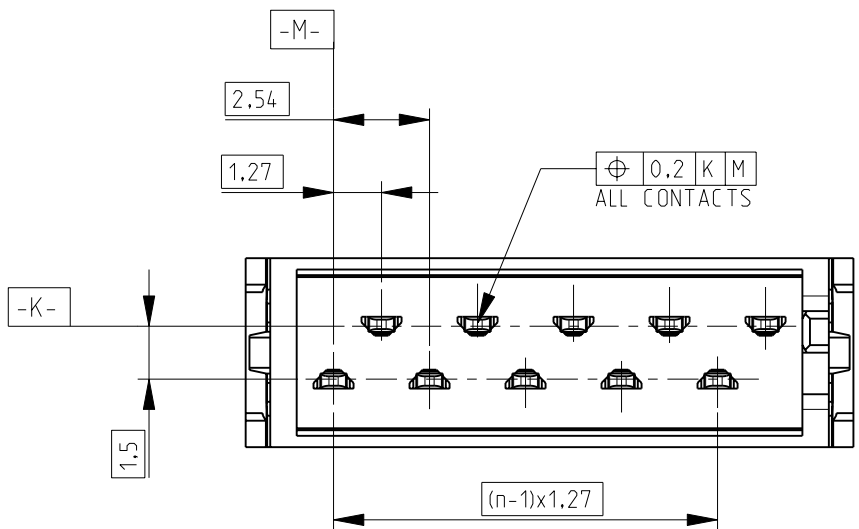
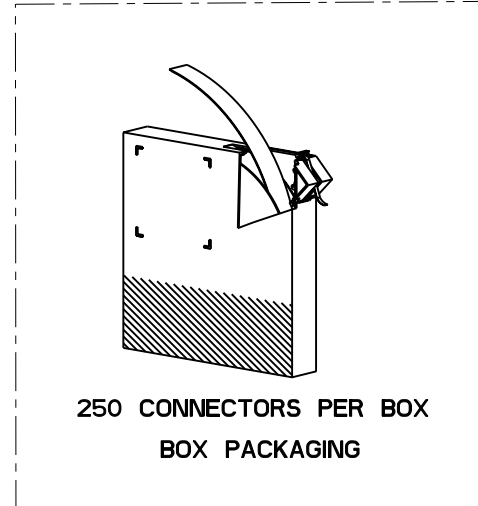
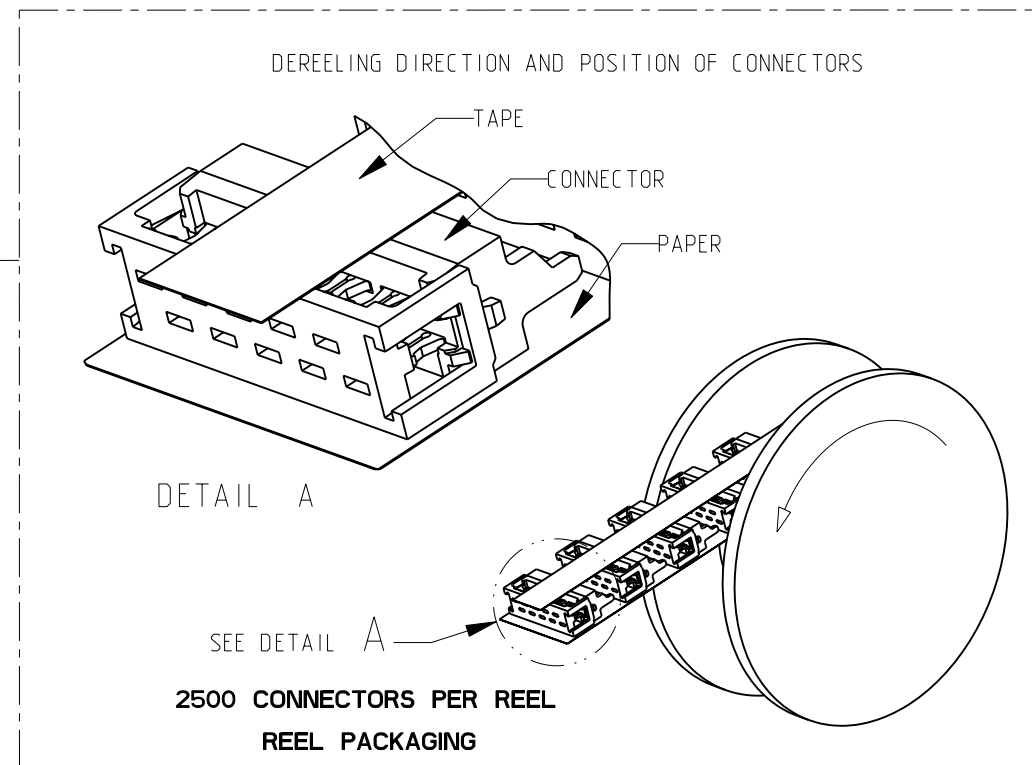


THIS DRAWING IS UNPUBLISHED. RELEASED FOR PUBLICATION
 © COPYRIGHT - BY - ALL RIGHTS RESERVED.

LOC	DIST	REVISIONS				
P	LTR	DESCRIPTION	DATE	DWN	APVD	
H	-	U1	REVISED PER ECO-11-005027	23MAR2011	RK	HMR
		U2	DIM "A" MAX ADDED IN TOP VIEW	21-07-11	SP	RP



PART NUMBER BOX PACKAGING	PART NUMBER REEL PACKAGING	NO OF POS "n"	DIMENSION "A" MAX
7-215083-4	215083-4	4	8.6
7-215083-6	215083-6	6	11.1
7-215083-8	215083-8	8	13.6
8-215083-0	1-215083-0	10	16.2
8-215083-2	1-215083-2	12	18.7
8-215083-4	1-215083-4	14	21.3
8-215083-6	1-215083-6	16	23.8
8-215083-8	1-215083-8	18	26.3
9-215083-0	2-215083-0	20	28.9
9-215083-4	2-215083-4	24	34.0



- NOTES:
- 1. SHOWN IS A 10 POSITION CONNECTOR
 - 2. FOR FLAT RIBBON CABLE REQUIREMENTS. SEE APPLICATION SPEC 114-19016.
 - 3. CONNECTOR-HEIGHT AFTER CABLE TERMINATION 5.1 mm AVERAGE. DEPENDING ON PROCESSING. SEE APPLICATION SPEC 114-19016.

FINISH	MATERIAL	DESCRIPTION	ITEM
--	GLASS FILLED POLYESTER (RED)	HOUSING	3
TIN OVER NICKEL PLATING	PHOPOHOR BRONZE	MALE CONTACT	2
--	GLASS FILLED POLYESTER (RED)	COVER	1

THIS DRAWING IS A CONTROLLED DOCUMENT.

DWN P.V.Tongeren
 CHK H SPELDE 24-08-01
 APVD H SPELDE 24-08-01

PRODUCT SPEC 108-19052
 APPLICATION SPEC 114-19016

WEIGHT -

CUSTOMER DRAWING

STE TE Connectivity

NAME: Micro-MaTch MALE-ON-WIRE CONNECTOR

SIZE: A3 CAGE CODE: 00779 DRAWING NO: ©-215083 RESTRICTED TO: -

SCALE: 5:1 SHEET: 1 OF 1 REV: U2