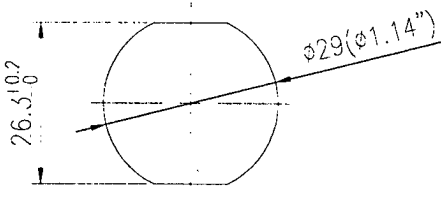
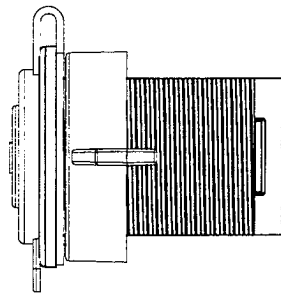
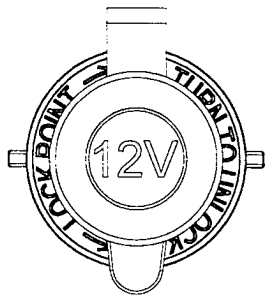
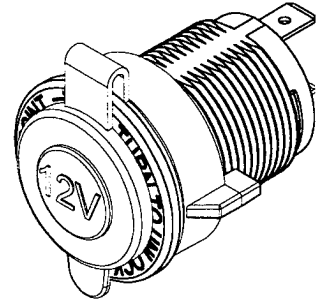


Rating	12V DC 20A MAX	<p style="text-align: center;">Mounting Hole</p> 
Insulation Resistance	DC 500V 100M ohm Min.	
Dielectric Strength	AC 1500V 1 minute	
Operation Temperature	-20°C~85°C	

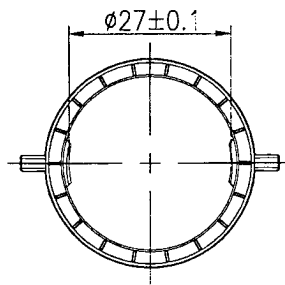
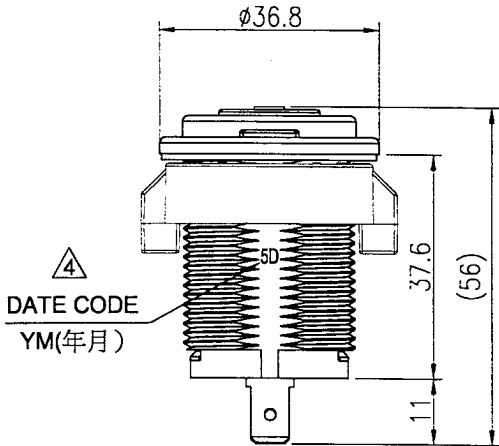


Ground Tab ⊖
Positive Tab ⊕
Quick Terminal(.250")

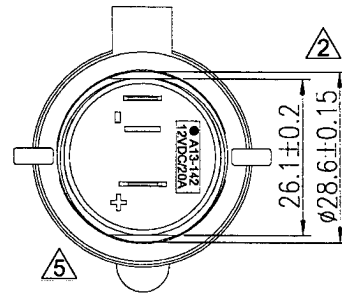


Description:

- * Water resistant sealing cap
- * SeaLink locking system
- * Easy to install with the locking ring for rear access installation
- * Compatible with standard CLA plugs



Nut



Tolerances ±0.2 Unless Otherwise Specified

09/02/15	黃洋	修正外觀圖,底蓋刻字A13-142A刪除“A”			△5	
04/24/15	劉嘉麗	增加DATE CODE。			△4	
06/07/10	方婷鳳	取消注解。			△3	
06/11/07	許庭禎	螺帽及螺紋外徑加注公差(提升螺帽搞扭力強度)。			△2	
03/05/07	許庭禎	螺紋及裝配平面處加注公差。			△1	
Date	Name	Description			No.	
Drawn	Checked	Approved	SCI BOM No.	1250509	Model Name	SeaLink CLA Socket
黃洋	叶志偉	Simon	Customer No.		Model No.	A13-142A-BB1
09/02/15	9/17/15	9/17/15	Unit	mm	Shin Chin Industrial Co., Ltd.	
						Rev. 5