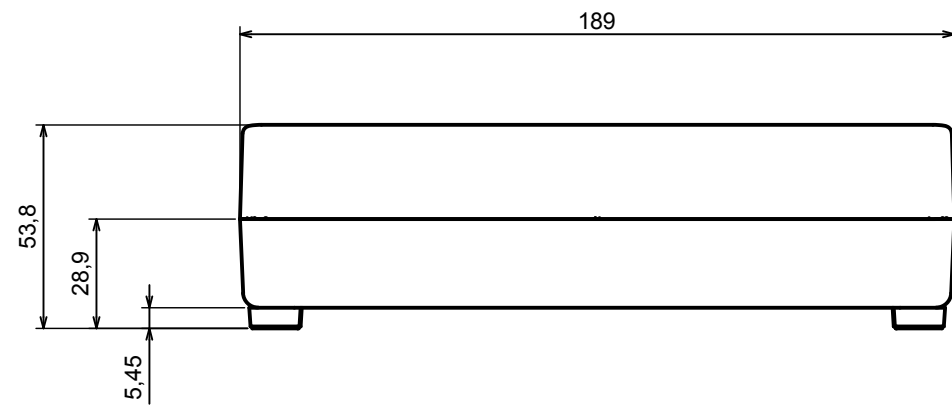
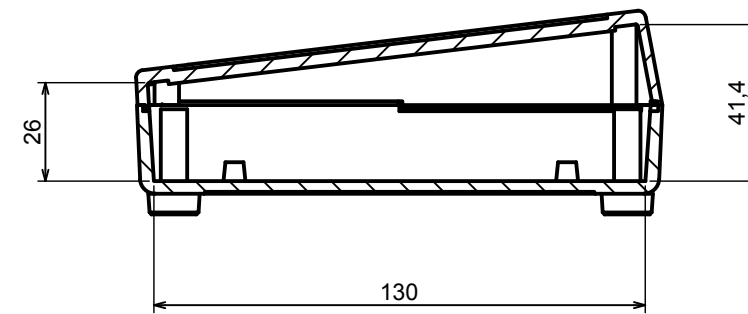


A |



A |

A-A



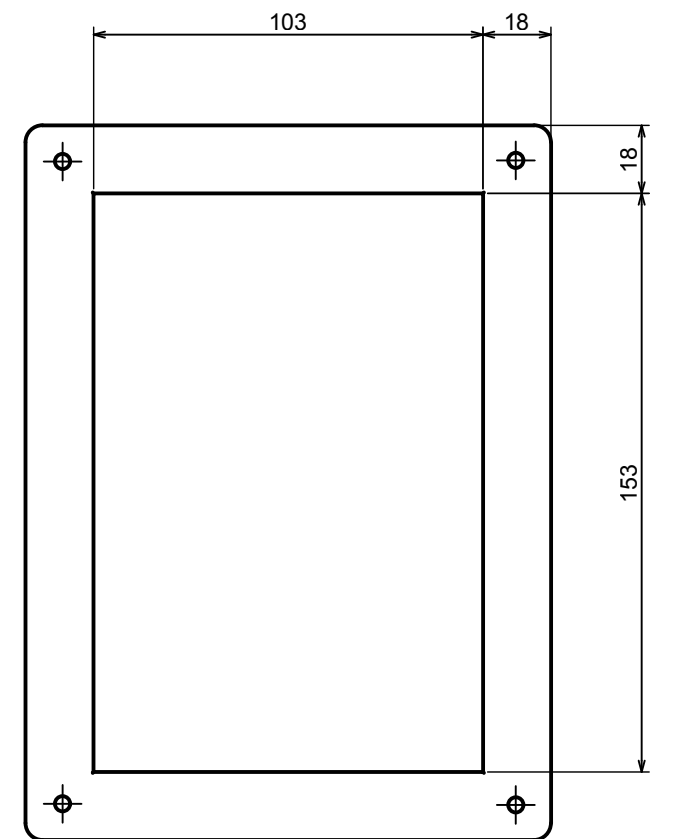
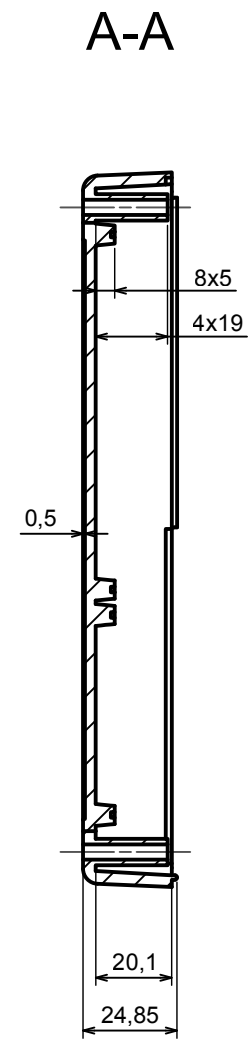
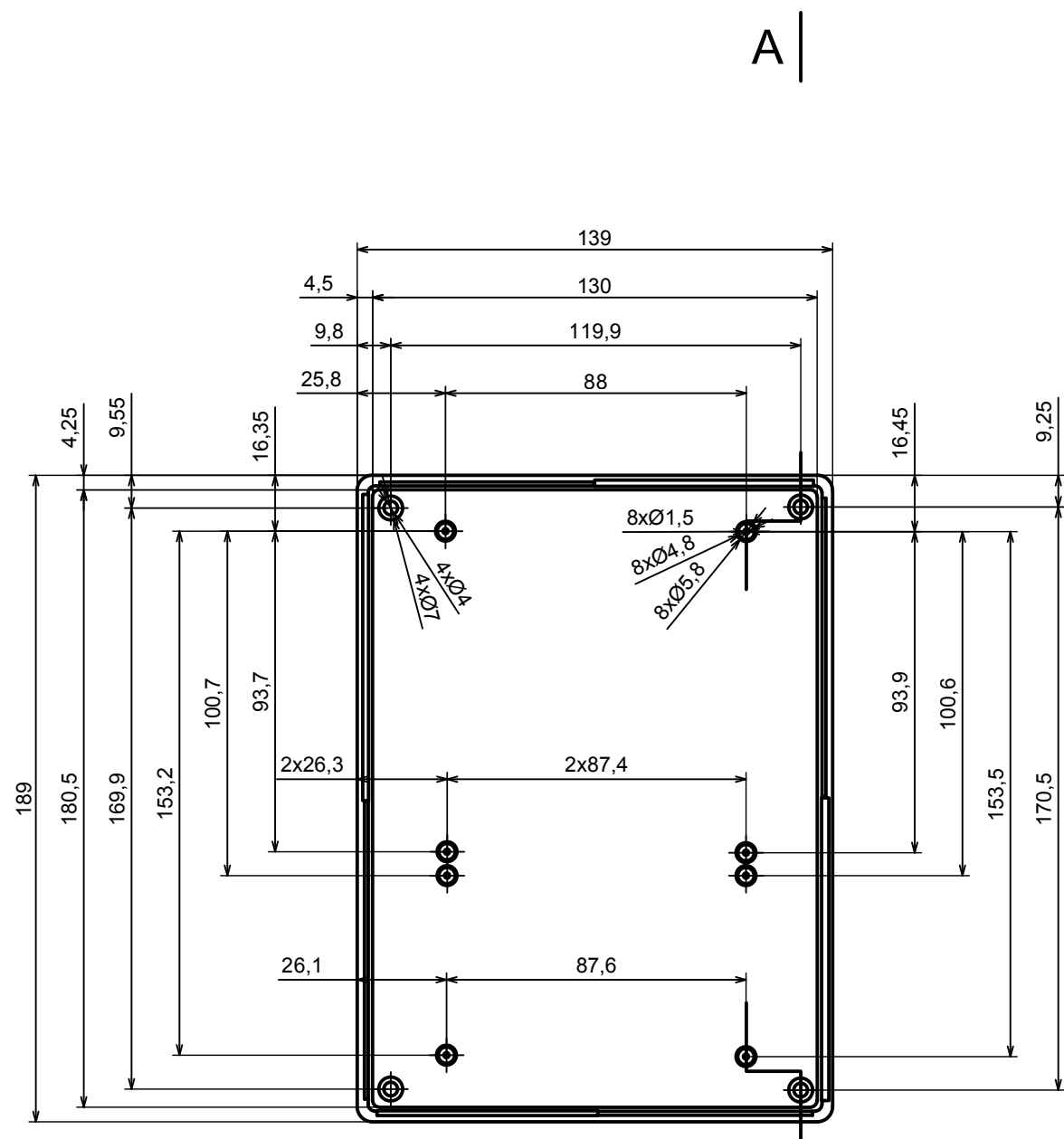
All rights reserved, Copyright Kradox 2020

Product model Enclosure Z33A - Assembly

Format: A3 Material: PS, ABS

Scale 1:2 Tolerance: +/- 0.9





A |

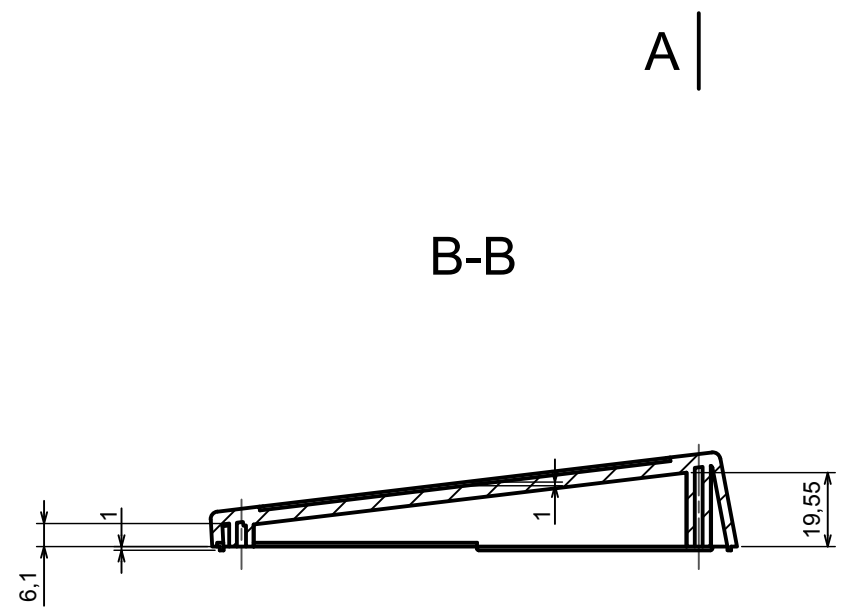
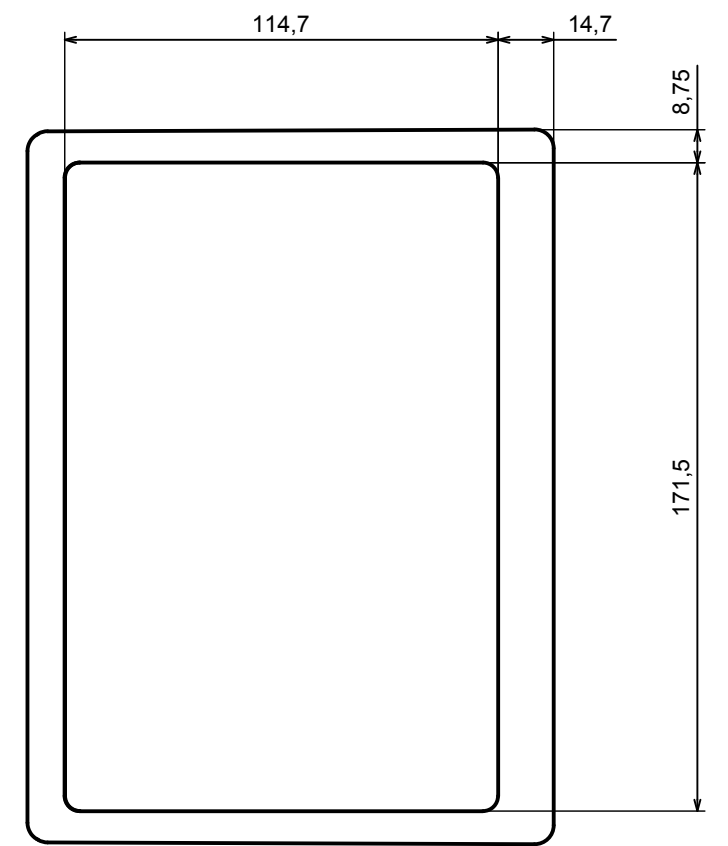
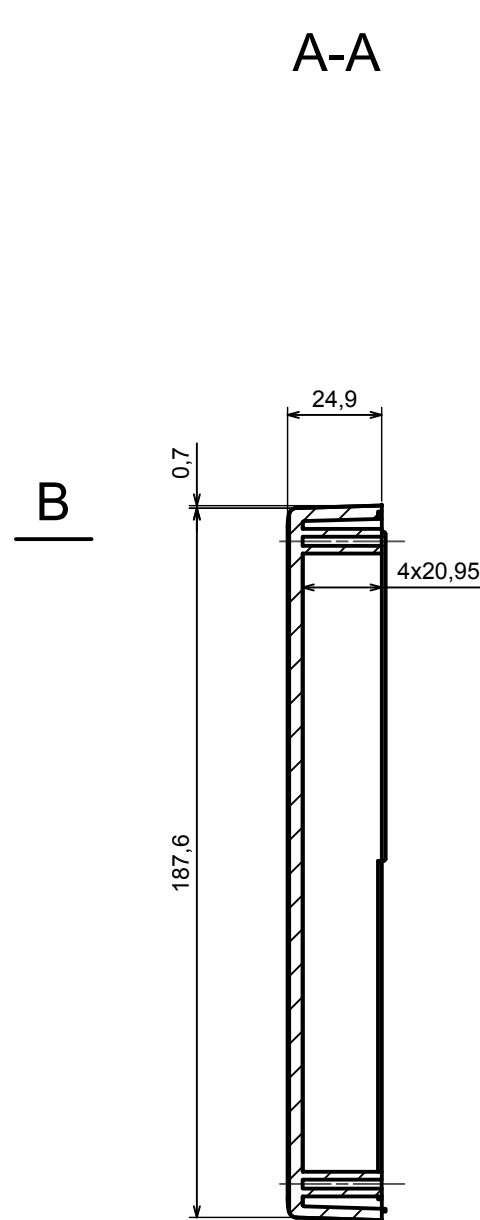
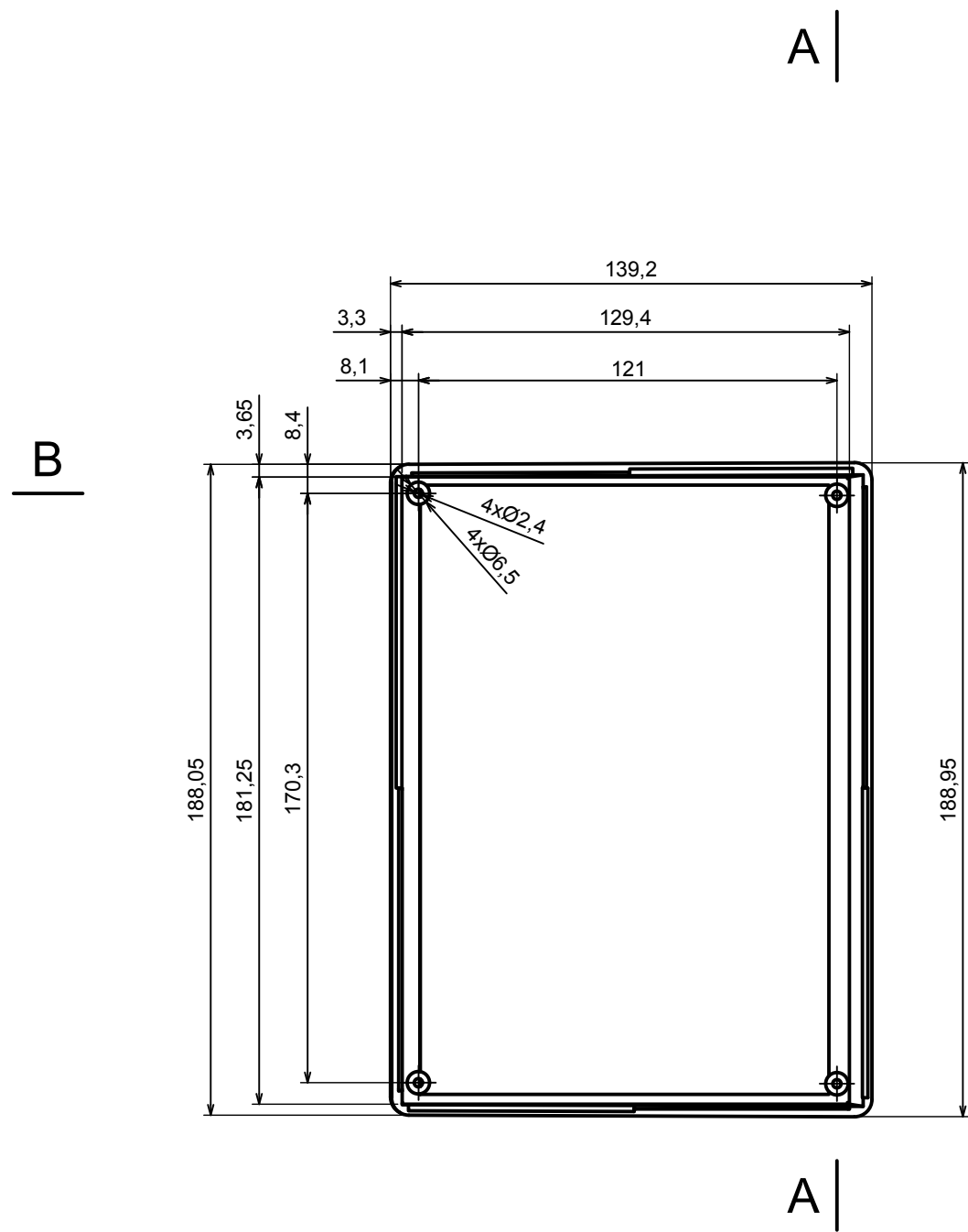
All rights reserved, Copyright Kradox 2020


Product model: Enclosure Z33A - Base

Format: A3      Material: PS, ABS

Scale 1:2      Tolerance: +/- 0.9





All rights reserved, Copyright Kradox 2020		
Product model	Enclosure Z33A - Cover	
Format: A3	Material: PS, ABS	
Scale 1:2	Tolerance: +/- 0.9	