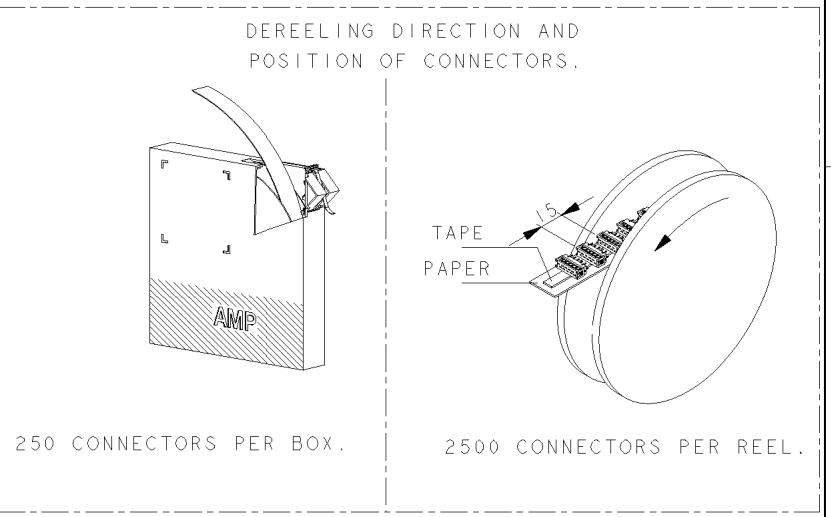
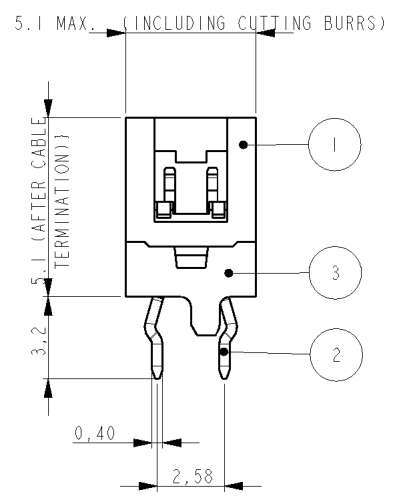
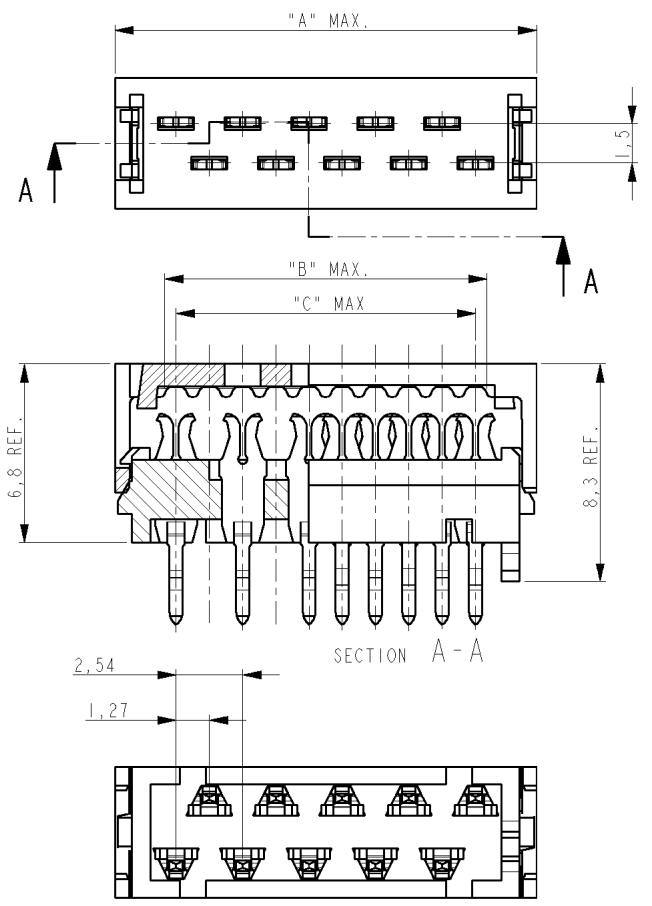


LOC		DIST		REVISIONS			
H		-		LTR	DESCRIPTION	DATE	APVD
N	ECN EH00-01263-01					07/11/01	H.S.
P	ECN EH00-1352-01					4/12/01	H.S.
R	ECN EH01-1328-03					12 NOV 03	PDJ

PARTNUMBER BOX PACKAGE	PARTNUMBER REEL PACKAGE	NR OF POS	DIMENSIONS		
			"A" MAX.	"B" MAX.	"C"
7-215570-4	215570-4	4	8.6	5.4	3.81
7-215570-6	215570-6	6	11.1	8.0	6.35
7-215570-8	215570-8	8	13.6	10.5	8.89
8-215570-0	1-215570-0	10	16.2	13.0	11.43
8-215570-2	1-215570-2	12	18.7	15.6	13.97
8-215570-4	1-215570-4	14	21.3	18.1	16.51
8-215570-6	1-215570-6	16	23.8	20.7	19.05
8-215570-8	1-215570-8	18	26.3	23.2	21.59
9-215570-0	2-215570-0	20	28.9	25.7	24.13
9-215570-4	2-215570-4	24	34.0	30.8	29.21



NOTE:
1.10 POSITIONS AS SHOWN

3	PADDLEBOARD HOUSING	G.F. POLYESTER (RED)	-
2	CONTACT	PHOSFOR BRONZE	TIN
1	COVER	G.F. POLYESTER (RED)	-
Item no.	Description	Material	Finish

THIS DRAWING IS A CONTROLLED DOCUMENT FOR Tyco Electronics Nederland B.V. IT IS SUBJECT TO CHANGE AND THE CONTROLLING ENGINEERING ORGANIZATION SHOULD BE CONTACTED FOR THE LATEST REVISION.

DWN	M.GOSSELINK	AMP Tyco Electronics Nederland B.V. 'S-HERTOGENBOSCH, THE NETHERLANDS	
CHK	M.GOSSELINK		
APVD	ELEIJTENS		
NAME	MICROMATCH PADDLE BOARD CONNECTOR		
PRODUCT SPEC	108-19052	SIZE	A3
APPLICATION SPEC	114-19016	CAGE CODE	00779
WEIGHT	-	DRAWING NO	C= 215570
CUSTOMER DRAWING			SCALE 5:1 SHEET 1 OF 1 REV R

DIMENSIONS:	TOLERANCES UNLESS OTHERWISE SPECIFIED:
mm	
0 PLC	± 0.2
1 PLC	± 0.1
2 PLC	± 0.05
3 PLC	± -
4 PLC	± -
ANGLES	± 0.2°
MATERIAL	FINISH

