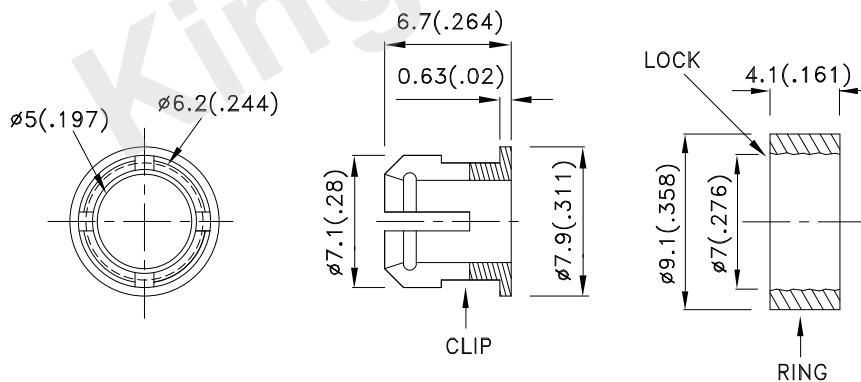


Part Number: RTC-52

Features

- Suitable for back panel illumination, circuit board indicator, LED indicator.
- CLIP:
Housing UL rating: 94V-0.
Housing material: type 66 nylon.
- Ring: PE.
- Recommended hole size: $\Phi 6.4\text{mm}$.
- RoHS compliant

Package Dimensions



Notes:

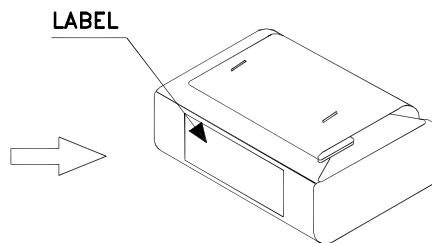
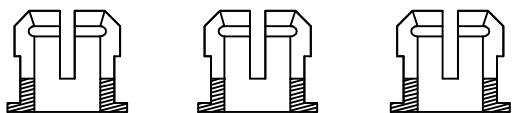
1. All dimensions are in millimeters (inches).
2. Tolerance is $\pm 0.25(0.01)$ unless otherwise noted.
3. The specifications, characteristics and technical data described in the datasheet are subject to change without prior notice.



Kingbright

PACKING & LABEL SPECIFICATIONS

RTC-52

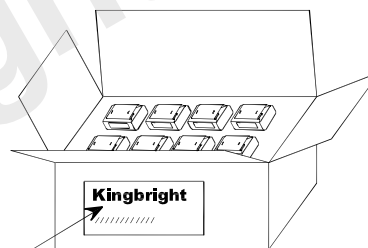


1000PCS / BAG




28K / 9# BOX

OUTSIDE LABEL



14K / 5# BOX

OUTSIDE LABEL

<h1>Kingbright</h1>		
P/NO: RTC-52		
QTY: 1000 pcs	Q.C.	Q C XX XX XXXX PASSED
S/N: XXXX		
CODE: XXX		
LOT NO:		
 xxxxxxxxxxxxxxxxxxxxxxxxxxxxxxxxxxxx		
RoHS Compliant		