

DVA.1 DVA.2 DVA.3

Vibration-damping elements



technical informations

Base

- DVA: glossy zinc-plated steel.
- DVA-SST: AISI 304 stainless steel.

Vibration-damping body

Natural rubber NR, hardness 40, 55, 70 tolerance ± 5 Shore A, black colour.

Standard executions

- DVA.1: zinc-plated steel threaded studs.
- DVA.1-SST: AISI 304 stainless steel threaded studs.
- DVA.2: threadad stud and boss in glossy zinc-plated steel, threaded blind hole.
- DVA.2-SST: threadad stud and boss in AISI 304 stainless steel, threaded blind hole.
- DVA.3: zinc-plated steel bosses, threaded blind holes.
- DVA.3-SST: AISI 304 stainless steel bosses, threaded blind holes.

Special executions on request

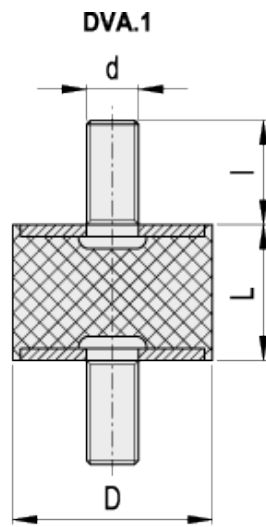
Natural rubber NR, hardness 40, 70 tolerance ± 5 Shore A for executions with AISI 304 stainless steel base.

Features and applications

ELESA vibration-damping elements have been designed to damp vibrations, shocks and noises produced by moving bodies or nonbalanced vibrating masses of equipment and machines which can cause:

- malfunctioning and reduction of the machine lifespan and/or of the adjacent ones;
- damage to health;
- noise.

[Technical data and guidelines for the choice](#)



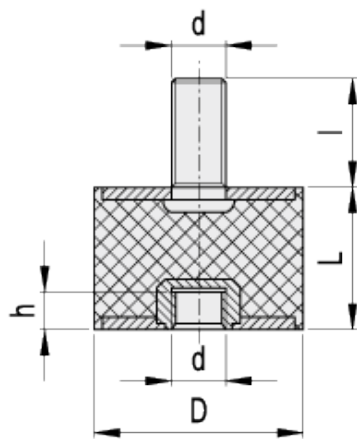
DVA.1 - 8 - 8 - M3 - 6 - 55
 D L d I Shore A

Standard Elements				Main dimensions				Max load	Max deflection	Stiffness	Weig
DVA.1		DVA.1-SST		D	L	d	I				
Code	Description	Code	Description	D	L	d	I	[N]	[mm]	[N/mm]	g
413801	DVA.1-8-8-M3-6-40	-	-	8	8	M3	6	24	1.3	19	4
411101	DVA.1-8-8-M3-6-55	410001	DVA.1-8-8-SST-M3-6-55	8	8	M3	6	70	2	35	4
416501	DVA.1-8-8-M3-6-70	-	-	8	8	M3	6	49	0.6	76	4
413811	DVA.1-10-10-M4-10-40	-	-	10	10	M4	10	37	1.7	22	5
411121	DVA.1-10-10-M4-10-55	410005	DVA.1-10-10-SST-M4-10-55	10	10	M4	10	89	2.5	36	5
416511	DVA.1-10-10-M4-10-70	-	-	10	10	M4	10	77	0.9	88	5
413821	DVA.1-10-15-M4-10-40	-	-	10	15	M4	10	27	2.7	10	6
411131	DVA.1-10-15-M4-10-55	410007	DVA.1-10-15-SST-M4-10-55	10	15	M4	10	60	3.75	16	6
416521	DVA.1-10-15-M4-10-70	-	-	10	15	M4	10	56	1.4	40	6
413831	DVA.1-15-8-M4-10-40	-	-	15	8	M4	10	61	1.1	55	7
411141	DVA.1-15-8-M4-10-55	410011	DVA.1-15-8-SST-M4-10-55	15	8	M4	10	230	1	230	7
416531	DVA.1-15-8-M4-10-70	-	-	15	8	M4	10	126	0.6	220	7
413841	DVA.1-15-10-M4-10-40	-	-	15	10	M4	10	73	1.5	50	8
411151	DVA.1-15-10-M4-10-55	410013	DVA.1-15-10-SST-M4-10-55	15	10	M4	10	198	2.5	79	8
416541	DVA.1-15-10-M4-10-70	-	-	15	10	M4	10	270	1.5	180	8
413851	DVA.1-15-15-M4-10-40	-	-	15	15	M4	10	61	2.1	30	10
411161	DVA.1-15-15-M4-10-55	410015	DVA.1-15-15-SST-M4-10-55	15	15	M4	10	125	3.75	39	10
416551	DVA.1-15-15-M4-10-70	-	-	15	15	M4	10	126	1.1	118	10
413861	DVA.1-15-20-M4-10-40	-	-	15	20	M4	10	61	3.1	20	12
411171	DVA.1-15-20-M4-10-55	410017	DVA.1-15-20-SST-M4-10-55	15	20	M4	10	145	5	25	12
416561	DVA.1-15-20-M4-10-70	-	-	15	20	M4	10	126	1.6	80	12
413871	DVA.1-20-15-M6-18-40	-	-	20	15	M6	18	109	1.6	70	18
411181	DVA.1-20-15-M6-18-55	410021	DVA.1-20-15-SST-M6-18-55	20	15	M6	18	352	3.75	94	18
416571	DVA.1-20-15-M6-18-70	-	-	20	15	M6	18	224	0.8	280	18
413881	DVA.1-20-20-M6-18-40	-	-	20	20	M6	18	95	2.2	42.5	25
411201	DVA.1-20-20-M6-18-55	410023	DVA.1-20-20-SST-M6-18-55	20	20	M6	18	260	5	52	25
416581	DVA.1-20-20-M6-18-70	-	-	20	20	M6	18	196	1.2	170	25
413891	DVA.1-20-25-M6-18-40	-	-	20	25	M6	18	109	3.8	28.5	20
411211	DVA.1-20-25-M6-18-55	410025	DVA.1-20-25-SST-M6-18-55	20	25	M6	18	310	6.25	50	20
416591	DVA.1-20-25-M6-18-70	-	-	20	25	M6	18	224	1.2	114	20

413901	DVA.1-25-15-M6-18-40	-	-	25	15	M6	18	303	2.8	110	28
411221	DVA.1-25-15-M6-18-55	410031	DVA.1-25-15-SST-M6-18-55	25	15	M6	18	687	3.75	183	28
416601	DVA.1-25-15-M6-18-70	-	-	25	15	M6	18	623	1.4	440	28
413911	DVA.1-25-20-M6-18-40	-	-	25	20	M6	18	272	2.9	95	31
411241	DVA.1-25-20-M6-18-55	410033	DVA.1-25-20-SST-M6-18-55	25	20	M6	18	602	5.0	120	31
416611	DVA.1-25-20-M6-18-70	-	-	25	20	M6	18	560	1.5	380	31
413921	DVA.1-25-25-M6-18-40	-	-	25	25	M6	18	265	5.5	45	35
411261	DVA.1-25-25-M6-18-55	410035	DVA.1-25-25-SST-M6-18-55	25	25	M6	18	675	6.25	108	35
416621	DVA.1-25-25-M6-18-70	-	-	25	25	M6	18	455	2.4	190	35
413931	DVA.1-25-30-M6-18-40	-	-	25	30	M6	18	204	5.4	37.5	38
411271	DVA.1-25-30-M6-18-55	410037	DVA.1-25-30-SST-M6-18-55	25	30	M6	18	562	7.5	75	38
416631	DVA.1-25-30-M6-18-70	-	-	25	30	M6	18	420	2.8	150	38
413941	DVA.1-30-15-M8-20-40	-	-	30	15	M8	20	408	1.6	257.5	45
411281	DVA.1-30-15-M8-20-55	410041	DVA.1-30-15-SST-M8-20-55	30	15	M8	20	534	3.75	142	45
416641	DVA.1-30-15-M8-20-70	-	-	30	15	M8	20	840	0.8	1030	45
413951	DVA.1-30-20-M8-20-40	-	-	30	20	M8	20	340	2.1	160	50
411301	DVA.1-30-20-M8-20-55	410043	DVA.1-30-20-SST-M8-20-55	30	20	M8	20	1250	5	250	50
416651	DVA.1-30-20-M8-20-70	-	-	30	20	M8	20	700	1.1	640	50
413961	DVA.1-30-30-M8-20-40	-	-	30	30	M8	20	238	4	60	57
411321	DVA.1-30-30-M8-20-55	410045	DVA.1-30-30-SST-M8-20-55	30	30	M8	20	843	7.5	112	57
416661	DVA.1-30-30-M8-20-70	-	-	30	30	M8	20	490	2	240	57
413971	DVA.1-40-20-M8-23-40	-	-	40	20	M8	23	1300	4	325	80
411331	DVA.1-40-20-M8-23-55	410051	DVA.1-40-20-SST-M8-23-55	40	20	M8	23	1500	5	300	80
416671	DVA.1-40-20-M8-23-70	-	-	40	20	M8	23	2430	3	810	80
413981	DVA.1-40-30-M8-23-40	-	-	40	30	M8	23	544	3.8	145	95
411341	DVA.1-40-30-M8-23-55	410053	DVA.1-40-30-SST-M8-23-55	40	30	M8	23	1527	7.5	204	95
416681	DVA.1-40-30-M8-23-70	-	-	40	30	M8	23	1120	1.9	580	95
413991	DVA.1-40-40-M8-23-40	-	-	40	40	M8	23	469	5.5	85	100
411361	DVA.1-40-40-M8-23-55	410055	DVA.1-40-40-SST-M8-23-55	40	40	M8	23	1620	10	162	100
416691	DVA.1-40-40-M8-23-70	-	-	40	40	M8	23	966	2.8	340	100
414001	DVA.1-50-20-M10-28-40	-	-	50	20	M10	28	1496	2.3	650	130
411381	DVA.1-50-20-M10-28-55	410061	DVA.1-50-20-SST-M10-28-55	50	20	M10	28	3589	5	718	130
416701	DVA.1-50-20-M10-28-70	-	-	50	20	M10	28	3080	1.2	2600	130
414011	DVA.1-50-30-M10-28-40	-	-	50	30	M10	28	884	3.7	240	184
411401	DVA.1-50-30-M10-28-55	410063	DVA.1-50-30-SST-M10-28-55	50	30	M10	28	2570	7.5	343	184
416711	DVA.1-50-30-M10-28-70	-	-	50	30	M10	28	1820	1.9	960	184
414021	DVA.1-50-40-M10-28-40	-	-	50	40	M10	28	816	5.4	150	170
411421	DVA.1-50-40-M10-28-55	410065	DVA.1-50-40-SST-M10-28-55	50	40	M10	28	2436	10	244	170
416721	DVA.1-50-40-M10-28-70	-	-	50	40	M10	28	1680	2.8	600	170
414031	DVA.1-50-45-M10-28-40	-	-	50	45	M10	28	748	6.2	120	180
411441	DVA.1-50-45-M10-28-55	410067	DVA.1-50-45-SST-M10-28-55	50	45	M10	28	2265	11.25	201	180
416731	DVA.1-50-45-M10-28-70	-	-	50	45	M10	28	1540	3.2	480	180
414041	DVA.1-50-50-M10-28-40	-	-	50	50	M10	28	780	6.5	120	195
411446	DVA.1-50-50-M10-28-55	410069	DVA.1-50-50-SST-M10-28-55	50	50	M10	28	2198	12.5	176	195
416741	DVA.1-50-50-M10-28-70	-	-	50	50	M10	28	2880	6	480	195

414051	DVA.1-60-30-M10-28-40	-	-	60	30	M10	28	2400	5	480	211
411451	DVA.1-60-30-M10-28-55	410071	DVA.1-60-30-SST-M10-28-55	60	30	M10	28	3400	7.5	453	211
416751	DVA.1-60-30-M10-28-70	-	-	60	30	M10	28	6620	5	1324	211
414061	DVA.1-60-40-M10-28-40	-	-	60	40	M10	28	1890	7	270	236
411456	DVA.1-60-40-M10-28-55	410073	DVA.1-60-40-SST-M10-28-55	60	40	M10	28	3300	10	330	236
416761	DVA.1-60-40-M10-28-70	-	-	60	40	M10	28	5520	7	789	236
414071	DVA.1-70-45-M10-28-40	-	-	70	45	M10	28	1292	5.4	237.5	38C
411461	DVA.1-70-45-M10-28-55	410077	DVA.1-70-45-SST-M10-28-55	70	45	M10	28	4000	11.25	356	38C
416771	DVA.1-70-45-M10-28-70	-	-	70	45	M10	28	2660	2.8	950	38C
414081	DVA.1-75-25-M12-37-40	-	-	75	25	M12	37	5546	4	1386.5	34E
411471	DVA.1-75-25-M12-37-55	410081	DVA.1-75-25-SST-M12-37-55	75	25	M12	37	11640	5	2330	34E
416781	DVA.1-75-25-M12-37-70	-	-	75	25	M12	37	13840	4	3460	34E
414091	DVA.1-75-40-M12-37-40	-	-	75	40	M12	37	1700	4.5	375	41C
411481	DVA.1-75-40-M12-37-55	410083	DVA.1-75-40-SST-M12-37-55	75	40	M12	37	4500	10	450	41C
416791	DVA.1-75-40-M12-37-70	-	-	75	40	M12	37	3500	2.3	1500	41C
414101	DVA.1-75-55-M12-37-40	-	-	75	55	M12	37	1564	7.3	215	51E
411501	DVA.1-75-55-M12-37-55	410085	DVA.1-75-55-SST-M12-37-55	75	55	M12	37	4400	13.75	320	51E
416801	DVA.1-75-55-M12-37-70	-	-	75	55	M12	37	3220	3.7	860	51E
414111	DVA.1-100-40-M16-41-40	-	-	100	40	M16	41	4692	6.3	750	76E
411521	DVA.1-100-40-M16-41-55	410091	DVA.1-100-40-SST-M16-41-55	100	40	M16	41	18600	10	1860	76E
416811	DVA.1-100-40-M16-41-70	-	-	100	40	M16	41	9660	32	3000	76E
414121	DVA.1-100-55-M16-41-40	-	-	100	55	M16	41	2584	4.9	525	90E
411541	DVA.1-100-55-M16-41-55	410093	DVA.1-100-55-SST-M16-41-55	100	55	M16	41	16500	13.75	1200	90E
416821	DVA.1-100-55-M16-41-70	-	-	100	55	M16	41	12600	6	2100	90E
414131	DVA.1-100-60-M16-41-40	-	-	100	60	M16	41	2580	6.5	400	95C
411561	DVA.1-100-60-M16-41-55	410095	DVA.1-100-60-SST-M16-41-55	100	60	M16	41	12000	15	800	95C
416831	DVA.1-100-60-M16-41-70	-	-	100	60	M16	41	5320	3.3	2100	95C
414141	DVA.1-100-75-M16-41-40	-	-	100	75	M16	41	2380	9	265	109E
411581	DVA.1-100-75-M16-41-55	410097	DVA.1-100-75-SST-M16-41-55	100	75	M16	41	11250	18.75	600	109E
416841	DVA.1-100-75-M16-41-70	-	-	100	75	M16	41	4900	4.6	1060	109E

DVA.2



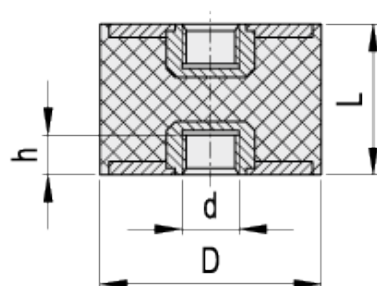
DVA.2 - 8 - 8 - M3 - 6 - 55
 D L d l Shore A

Standard Elements				Main dimensions					Max load	Max deflection	Stiffness	Weight
DVA.2		DVA.2-SST		D	L	d	l	h	[N]	[mm]	[N/mm]	g
Code	Description	Code	Description	D	L	d	l	h	[N]	[mm]	[N/mm]	g
414301	DVA.2-8-8-M3-6-40	-	-	8	8	M3	6	3	24	1.1	22	3
411701	DVA.2-8-8-M3-6-55	410101	DVA.2-8-8-SST-M3-6-55	8	8	M3	6	3	75	2	38	3
417001	DVA.2-8-8-M3-6-70	-	-	8	8	M3	6	3	49	0.6	89	3
414311	DVA.2-10-10-M4-10-40	-	-	10	10	M4	10	4	37	1.6	23	4
411721	DVA.2-10-10-M4-10-55	410105	DVA.2-10-10-SST-M4-10-55	10	10	M4	10	4	90	2.5	36	4
417011	DVA.2-10-10-M4-10-70	-	-	10	10	M4	10	4	77	0.8	92	4
414321	DVA.2-10-15-M4-10-40	-	-	10	15	M4	10	4	27	2.5	11	5
411731	DVA.2-10-15-M4-10-55	410107	DVA.2-10-15-SST-M4-10-55	10	15	M4	10	4	65	3.75	17	5
417021	DVA.2-10-15-M4-10-70	-	-	10	15	M4	10	4	56	1.3	44	5
414331	DVA.2-15-10-M4-10-40	-	-	15	10	M4	10	4	113	1.5	75	6
411741	DVA.2-15-10-M4-10-55	410113	DVA.2-15-10-SST-M4-10-55	15	10	M4	10	4	200	2.5	80	6
417031	DVA.2-15-10-M4-10-70	-	-	15	10	M4	10	4	240	1.1	220	6
414341	DVA.2-15-15-M4-10-40	-	-	15	15	M4	10	4	61	1.7	36	7
411761	DVA.2-15-15-M4-10-55	410115	DVA.2-15-15-SST-M4-10-55	15	15	M4	10	4	130	3.75	35	7
417041	DVA.2-15-15-M4-10-70	-	-	15	15	M4	10	4	126	0.9	146	7
414351	DVA.2-15-20-M4-10-40	-	-	15	20	M4	10	4	61	2.2	27	8
411771	DVA.2-15-20-M4-10-55	410117	DVA.2-15-20-SST-M4-10-55	15	20	M4	10	4	150	5	30	8
417051	DVA.2-15-20-M4-10-70	-	-	15	20	M4	10	4	126	1.1	110	8
414361	DVA.2-20-15-M6-18-40	-	-	20	15	M6	18	6	109	1.3	85	15
411781	DVA.2-20-15-M6-18-55	410121	DVA.2-20-15-SST-M6-18-55	20	15	M6	18	6	355	3.75	95	15
417061	DVA.2-20-15-M6-18-70	-	-	20	15	M6	18	6	224	0.7	340	15
414371	DVA.2-20-20-M6-18-40	-	-	20	20	M6	18	6	95	1.6	60	17
411801	DVA.2-20-20-M6-18-55	410123	DVA.2-20-20-SST-M6-18-55	20	20	M6	18	6	265	5	53	17
417071	DVA.2-20-20-M6-18-70	-	-	20	20	M6	18	6	196	0.8	240	17
414381	DVA.2-20-25-M6-18-40	-	-	20	25	M6	18	6	109	2.9	37	18
411811	DVA.2-20-25-M6-18-55	410125	DVA.2-20-25-SST-M6-18-55	20	25	M6	18	6	315	6.25	50	18
417081	DVA.2-20-25-M6-18-70	-	-	20	25	M6	18	6	224	1.5	150	18
414391	DVA.2-25-15-M6-18-40	-	-	25	15	M6	18	6	303	2.3	131	26
411821	DVA.2-25-15-M6-18-55	410131	DVA.2-25-15-SST-M6-18-55	25	15	M6	18	6	690	3.75	184	26
417091	DVA.2-25-15-M6-18-70	-	-	25	15	M6	18	6	623	1.2	526	26
414401	DVA.2-25-20-M6-18-40	-	-	25	20	M6	18	6	272	3.2	85	28

411841	DVA.2-25-20-M6-18-55	410133	DVA.2-25-20-SST-M6-18-55	25	20	M6	18	6	605	5	121	28
417101	DVA.2-25-20-M6-18-70	-	-	25	20	M6	18	6	560	1.6	340	28
414411	DVA.2-25-30-M6-18-40	-	-	25	30	M6	18	6	204	4.1	50	36
411851	DVA.2-25-30-M6-18-55	410137	DVA.2-25-30-SST-M6-18-55	25	30	M6	18	6	570	7.5	76	36
417111	DVA.2-25-30-M6-18-70	-	-	25	30	M6	18	6	420	2.1	200	36
414421	DVA.2-30-15-M8-20-40	-	-	30	15	M8	20	8	408	0.3	1350	41
411861	DVA.2-30-15-M8-20-55	410141	DVA.2-30-15-SST-M8-20-55	30	15	M8	20	8	535	3.75	143	41
417121	DVA.2-30-15-M8-20-70	-	-	30	15	M8	20	8	840	0.1	5400	41
414431	DVA.2-30-20-M8-20-40	-	-	30	20	M8	20	8	340	2	170	43
411881	DVA.2-30-20-M8-20-55	410143	DVA.2-30-20-SST-M8-20-55	30	20	M8	20	8	1690	4	423	43
417131	DVA.2-30-20-M8-20-70	-	-	30	20	M8	20	8	700	1	680	43
414441	DVA.2-30-30-M8-20-40	-	-	30	30	M8	20	8	238	3.7	65	50
411901	DVA.2-30-30-M8-20-55	410145	DVA.2-30-30-SST-M8-20-55	30	30	M8	20	8	850	7.5	113	50
417141	DVA.2-30-30-M8-20-70	-	-	30	30	M8	20	8	490	1.9	260	50
414451	DVA.2-40-20-M8-23-40	-	-	40	20	M8	23	8	952	1.5	650	73
411911	DVA.2-40-20-M8-23-55	410151	DVA.2-40-20-SST-M8-23-55	40	20	M8	23	8	1510	5	302	73
417151	DVA.2-40-20-M8-23-70	-	-	40	20	M8	23	8	2080	0.8	2600	73
414461	DVA.2-40-30-M8-23-40	-	-	40	30	M8	23	8	544	3.1	175	85
411921	DVA.2-40-30-M8-23-55	410153	DVA.2-40-30-SST-M8-23-55	40	30	M8	23	8	1530	7.5	204	85
417161	DVA.2-40-30-M8-23-70	-	-	40	30	M8	23	8	1120	1.6	700	85
414471	DVA.2-40-40-M8-23-40	-	-	40	40	M8	23	8	469	5.2	90	98
411941	DVA.2-40-40-M8-23-55	410155	DVA.2-40-40-SST-M8-23-55	40	40	M8	23	8	1630	10	163	98
417171	DVA.2-40-40-M8-23-70	-	-	40	40	M8	23	8	966	2.7	360	98
414481	DVA.2-50-20-M10-28-40	-	-	50	20	M10	28	10	1496	1.9	785	115
411961	DVA.2-50-20-M10-28-55	410161	DVA.2-50-20-SST-M10-28-55	50	20	M10	28	10	3600	5	720	115
417181	DVA.2-50-20-M10-28-70	-	-	50	20	M10	28	10	3080	1	3140	115
414491	DVA.2-50-30-M10-28-40	-	-	50	30	M10	28	10	844	3.2	275	135
411981	DVA.2-50-30-M10-28-55	410163	DVA.2-50-30-SST-M10-28-55	50	30	M10	28	10	2575	7.5	343	135
417191	DVA.2-50-30-M10-28-70	-	-	50	30	M10	28	10	1820	1.7	1100	135
414501	DVA.2-50-40-M10-28-40	-	-	50	40	M10	28	10	816	4.9	165	160
412001	DVA.2-50-40-M10-28-55	410165	DVA.2-50-40-SST-M10-28-55	50	40	M10	28	10	2440	10	244	160
417201	DVA.2-50-40-M10-28-70	-	-	50	40	M10	28	10	1680	2.5	660	160
414511	DVA.2-50-45-M10-28-40	-	-	50	45	M10	28	10	748	6.5	115	170
412021	DVA.2-50-45-M10-28-55	410167	DVA.2-50-45-SST-M10-28-55	50	45	M10	28	10	2590	11.25	230	170
417211	DVA.2-50-45-M10-28-70	-	-	50	45	M10	28	10	1540	3.3	460	170
414521	DVA.2-50-50-M10-28-40	-	-	50	50	M10	28	10	684	7.2	95	185
412026	DVA.2-50-50-M10-28-55	410169	DVA.2-50-50-SST-M10-28-55	50	50	M10	28	10	2200	12.5	176	185
417221	DVA.2-50-50-M10-28-70	-	-	50	50	M10	28	10	1400	3.7	380	185
414531	DVA.2-60-30-M10-28-40	-	-	60	30	M10	28	10	2100	4.5	467	195
412031	DVA.2-60-30-M10-28-55	410171	DVA.2-60-30-SST-M10-28-55	60	30	M10	28	10	3400	7.5	453	195
417231	DVA.2-60-30-M10-28-70	-	-	60	30	M10	28	10	5890	4.5	1309	195
414541	DVA.2-60-40-M10-28-40	-	-	60	40	M10	28	10	1600	6	267	220
412036	DVA.2-60-40-M10-28-55	410173	DVA.2-60-40-SST-M10-28-55	60	40	M10	28	10	3330	10	333	220
417241	DVA.2-60-40-M10-28-70	-	-	60	40	M10	28	10	4820	6	803	220
414551	DVA.2-70-45-M10-28-40	-	-	70	45	M10	28	10	1292	5.3	245	372

412041	DVA.2-70-45-M10-28-55	410177	DVA.2-70-45-SST-M10-28-55	70	45	M10	28	10	4000	11.25	356	372
417251	DVA.2-70-45-M10-28-70	-	-	70	45	M10	28	10	2660	2.7	980	372
414561	DVA.2-75-25-M12-37-40	-	-	75	25	M12	37	12	5980	4	1495	321
412051	DVA.2-75-25-M12-37-55	410181	DVA.2-75-25-SST-M12-37-55	75	25	M12	37	12	7000	3	2335	321
417261	DVA.2-75-25-M12-37-70	-	-	75	25	M12	37	12	15900	4	3975	321
414571	DVA.2-75-40-M12-37-40	-	-	75	40	M12	37	12	1700	4.3	400	385
412061	DVA.2-75-40-M12-37-55	410183	DVA.2-75-40-SST-M12-37-55	75	40	M12	37	12	4600	10	460	385
417271	DVA.2-75-40-M12-37-70	-	-	75	40	M12	37	12	3500	2.2	1600	385
414581	DVA.2-75-55-M12-37-40	-	-	75	55	M12	37	12	1564	6.5	240	45C
412081	DVA.2-75-55-M12-37-55	410185	DVA.2-75-55-SST-M12-37-55	75	55	M12	37	12	4510	13.75	328	45C
417281	DVA.2-75-55-M12-37-70	-	-	75	55	M12	37	12	3220	3.4	960	45C
414591	DVA.2-100-40-M16-41-40	-	-	100	40	M16	41	16	4692	5.9	800	74C
412101	DVA.2-100-40-M16-41-55	410191	DVA.2-100-40-SST-M16-41-55	100	40	M16	41	16	22500	10	2250	74C
417291	DVA.2-100-40-M16-41-70	-	-	100	40	M16	41	16	9660	3	3200	74C
414601	DVA.2-100-55-M16-41-40	-	-	100	55	M16	41	16	2584	4.5	575	85C
412121	DVA.2-100-55-M16-41-55	410193	DVA.2-100-55-SST-M16-41-55	100	55	M16	41	16	24060	13.75	1750	85C
417301	DVA.2-100-55-M16-41-70	-	-	100	55	M16	41	16	5320	2.3	2300	85C
414611	DVA.2-100-60-M16-41-40	-	-	100	60	M16	41	16	5954	12	496	865
412141	DVA.2-100-60-M16-41-55	410195	DVA.2-100-60-SST-M16-41-55	100	60	M16	41	16	18000	15	1200	865
417311	DVA.2-100-60-M16-41-70	-	-	100	60	M16	41	16	17800	12	1483	865
414621	DVA.2-100-75-M16-41-40	-	-	100	75	M16	41	16	2380	9	265	98C
412161	DVA.2-100-75-M16-41-55	410197	DVA.2-100-75-SST-M16-41-55	100	75	M16	41	16	15940	18.75	850	98C
417321	DVA.2-100-75-M16-41-70	-	-	100	75	M16	41	16	4900	4.6	1060	98C

DVA.3



DVA.3 - 8 - 8 - M3 - 55
D L d Shore A

Standard Elements				Main dimensions				Max load	Max deflection	Stiffness	Weight
DVA.3		DVA.3-SST		D	L	d	h	[N]	[mm]	[N/mm]	g
Code	Description	Code	Description								
414801	DVA.3-8-8-M3-40	-	-	8	8	M3	3	38	1.1	35	2
412301	DVA.3-8-8-M3-55	410201	DVA.3-8-8-SST-M3-55	8	8	M3	3	75	2	38	2
417501	DVA.3-8-8-M3-70	-	-	8	8	M3	3	87	0.6	145	2
414811	DVA.3-10-10-M4-40	-	-	10	10	M4	4	37	1.4	26	3

412321	DVA.3-10-10-M4-55	410205	DVA.3-10-10-SST-M4-55	10	10	M4	4	90	2.5	36	3
417511	DVA.3-10-10-M4-70	-	-	10	10	M4	4	77	0.7	106	3
414821	DVA.3-10-15-M4-40	-	-	10	15	M4	4	27	2.2	12	4
412326	DVA.3-10-15-M4-55	410207	DVA.3-10-15-SST-M4-55	10	15	M4	4	65	3.75	17	4
417521	DVA.3-10-15-M4-70	-	-	10	15	M4	4	56	1.1	50	4
414831	DVA.3-15-10-M4-40	-	-	15	10	M4	4	960	0.4	900	5
412331	DVA.3-15-10-M4-55	410213	DVA.3-15-10-SST-M4-55	15	10	M4	4	200	2.5	80	5
417531	DVA.3-15-10-M4-70	-	-	15	10	M4	4	44	0.4	1100	5
414841	DVA.3-15-15-M4-40	-	-	15	15	M4	4	61	1.6	39	6
412341	DVA.3-15-15-M4-55	410215	DVA.3-15-15-SST-M4-55	15	15	M4	4	135	3.75	36	6
417541	DVA.3-15-15-M4-70	-	-	15	15	M4	4	126	0.8	156	6
414851	DVA.3-15-20-M4-40	-	-	15	20	M4	4	61	1.4	42	8
412346	DVA.3-15-20-M4-55	410217	DVA.3-15-20-SST-M4-55	15	20	M4	4	152	5	30	8
417551	DVA.3-15-20-M4-70	-	-	15	20	M4	4	126	0.7	170	8
414861	DVA.3-20-15-M6-40	-	-	20	15	M6	6	109	0.1	900	13
412351	DVA.3-20-15-M6-55	410221	DVA.3-20-15-SST-M6-55	20	15	M6	6	355	3.75	95	13
417561	DVA.3-20-15-M6-70	-	-	20	15	M6	6	224	0.1	3600	13
414871	DVA.3-20-20-M6-40	-	-	20	20	M6	6	95	2	47	16
412361	DVA.3-20-20-M6-55	410223	DVA.3-20-20-SST-M6-55	20	20	M6	6	267	5	53	16
417571	DVA.3-20-20-M6-70	-	-	20	20	M6	6	196	1	190	16
414881	DVA.3-20-25-M6-40	-	-	20	25	M6	6	109	2.7	40	19
412371	DVA.3-20-25-M6-55	410225	DVA.3-20-25-SST-M6-55	20	25	M6	6	315	6.25	50	19
417581	DVA.3-20-25-M6-70	-	-	20	25	M6	6	224	1.4	160	19
414891	DVA.3-25-20-M6-40	-	-	25	20	M6	6	272	3	90	26
412381	DVA.3-25-20-M6-55	410231	DVA.3-25-20-SST-M6-55	25	20	M6	6	605	5	121	26
417591	DVA.3-25-20-M6-70	-	-	25	20	M6	6	560	1.6	360	26
414901	DVA.3-25-25-M6-40	-	-	25	25	M6	6	221	4.5	49	29
412386	DVA.3-25-25-M6-55	410233	DVA.3-25-25-SST-M6-55	25	25	M6	6	530	6.25	85	29
417601	DVA.3-25-25-M6-70	-	-	25	25	M6	6	455	2.3	196	29
414911	DVA.3-25-30-M6-40	-	-	25	30	M6	6	190	5	38	25
412391	DVA.3-25-30-M6-55	410237	DVA.3-25-30-SST-M6-55	25	30	M6	6	575	7.5	77	25
417611	DVA.3-25-30-M6-70	-	-	25	30	M6	6	450	3	150	25
414921	DVA.3-30-20-M8-40	-	-	30	20	M8	8	-	-	-	39
412401	DVA.3-30-20-M8-55	410241	DVA.3-30-20-SST-M8-55	30	20	M8	8	2050	5	410	39
417621	VA.3-30-20-M8-70	-	-	30	20	M8	8	2422	1.03	2351	39
414931	DVA.3-30-30-M8-40	-	-	30	30	M8	8	238	6	75	45
412421	DVA.3-30-30-M8-55	410243	DVA.3-30-30-SST-M8-55	30	30	M8	8	855	7.5	114	45
417631	DVA.3-30-30-M8-70	-	-	30	30	M8	8	490	1.6	300	45
414941	DVA.3-30-40-M8-40	-	-	30	40	M8	8	390	6	65	53
412431	DVA.3-30-40-M8-55	410245	DVA.3-30-40-SST-M8-55	30	40	M8	8	757	10	76	53
417641	DVA.3-30-40-M8-70	-	-	30	40	M8	8	1080	4	270	53
414951	DVA.3-40-30-M8-40	-	-	40	30	M8	8	544	2.4	225	80
412441	DVA.3-40-30-M8-55	410253	DVA.3-40-30-SST-M8-55	40	30	M8	8	1535	7.5	205	80
417651	DVA.3-40-30-M8-70	-	-	40	30	M8	8	1120	1.2	900	80
414961	DVA.3-40-40-M8-40	-	-	40	40	M8	8	469	4.5	105	98

412461	DVA.3-40-40-M8-55	410255	DVA.3-40-40-SST-M8-55	40	40	M8	8	1635	10	164	98
417661	DVA.3-40-40-M8-70	-	-	40	40	M8	8	966	2.3	420	98
414971	DVA.3-50-30-M10-40	-	-	50	30	M10	10	884	2.9	300	125
412463	DVA.3-50-30-M10-55	410263	DVA.3-50-30-SST-M10-55	50	30	M10	10	2570	7.5	343	125
417671	DVA.3-50-30-M10-70	-	-	50	30	M10	10	1820	1.5	1200	125
414981	DVA.3-50-40-M10-40	-	-	50	40	M10	10	816	4.4	185	150
412466	DVA.3-50-40-M10-55	410265	DVA.3-50-40-SST-M10-55	50	40	M10	10	2445	10	245	150
417681	DVA.3-50-40-M10-70	-	-	50	40	M10	10	1680	2.3	740	150
414991	DVA.3-50-50-M10-40	-	-	50	50	M10	10	683	6.5	105	125
412469	DVA.3-50-50-M10-55	410269	DVA.3-50-50-SST-M10-55	50	50	M10	10	2225	12.5	178	125
417691	DVA.3-50-50-M10-70	-	-	50	50	M10	10	2520	6	420	125
415001	DVA.3-60-30-M10-40	-	-	60	30	M10	10	1370	3	457	189
412471	DVA.3-60-30-M10-55	410271	DVA.3-60-30-SST-M10-55	60	30	M10	10	3400	7.5	453	189
417701	DVA.3-60-30-M10-70	-	-	60	30	M10	10	4170	3	1390	189
415011	DVA.3-60-40-M10-40	-	-	60	40	M10	10	1220	4.5	271	220
412476	DVA.3-60-40-M10-55	410273	DVA.3-60-40-SST-M10-55	60	40	M10	10	3300	10	330	220
417711	DVA.3-60-40-M10-70	-	-	60	40	M10	10	3820	4.5	849	220
415021	DVA.3-70-45-M10-40	-	-	70	45	M10	10	1292	3.4	375	335
412481	DVA.3-70-45-M10-55	410277	DVA.3-70-45-SST-M10-55	70	45	M10	10	4000	11.25	356	335
417721	DVA.3-70-45-M10-70	-	-	70	45	M10	10	2660	1.8	1500	335
415031	DVA.3-75-40-M12-40	-	-	75	40	M12	12	1700	3.1	550	360
412501	DVA.3-75-40-M12-55	410283	DVA.3-75-40-SST-M12-55	75	40	M12	12	4650	10	465	360
417731	DVA.3-75-40-M12-70	-	-	75	40	M12	12	3500	1.6	2200	360
415041	DVA.3-75-55-M12-40	-	-	75	55	M12	12	1564	6.3	250	445
412521	DVA.3-75-55-M12-55	410285	DVA.3-75-55-SST-M12-55	75	55	M12	12	4500	13.75	327	445
417741	DVA.3-75-55-M12-70	-	-	75	55	M12	12	3220	3.2	1000	445
415051	DVA.3-100-40-M16-40	-	-	100	40	M16	16	4692	5.2	900	690
412541	DVA.3-100-40-M16-55	410291	DVA.3-100-40-SST-M16-55	100	40	M16	16	22500	10	2250	690
417751	DVA.3-100-40-M16-70	-	-	100	40	M16	16	9660	2.7	3600	690
415061	DVA.3-100-55-M16-40	-	-	100	55	M16	16	2584	4.3	600	765
412551	DVA.3-100-55-M16-55	410293	DVA.3-100-55-SST-M16-55	100	55	M16	16	24060	13.75	1750	765
417761	DVA.3-100-55-M16-70	-	-	100	55	M16	16	5320	2.2	2400	765
415071	DVA.3-100-60-M16-40	-	-	100	60	M16	16	2584	5.2	500	885
412561	DVA.3-100-60-M16-55	410295	DVA.3-100-60-SST-M16-55	100	60	M16	16	18000	15	1200	885
417771	DVA.3-100-60-M16-70	-	-	100	60	M16	16	5320	2.7	2000	885
415081	DVA.3-100-75-M16-40	-	-	100	75	M16	16	2380	9	265	965
412581	DVA.3-100-75-M16-55	410297	DVA.3-100-75-SST-M16-55	100	75	M16	16	15940	18.75	850	965
417781	DVA.3-100-75-M16-70	-	-	100	75	M16	16	4900	4.6	1060	965



ELESA and GANTER models all rights reserved in accordance with the law. Always mention the source when reproducing our drawings.

STANDARD MACHINE ELEMENTS WORLDWIDE

