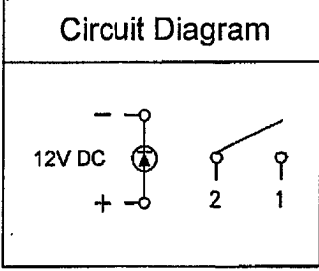
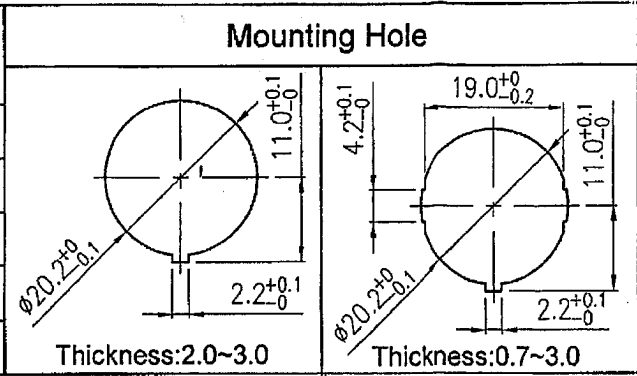
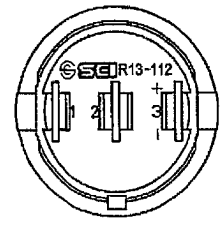
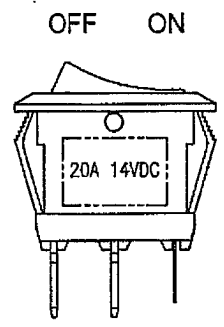
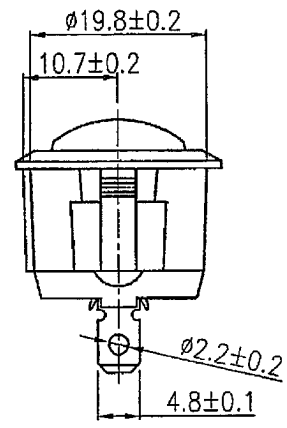
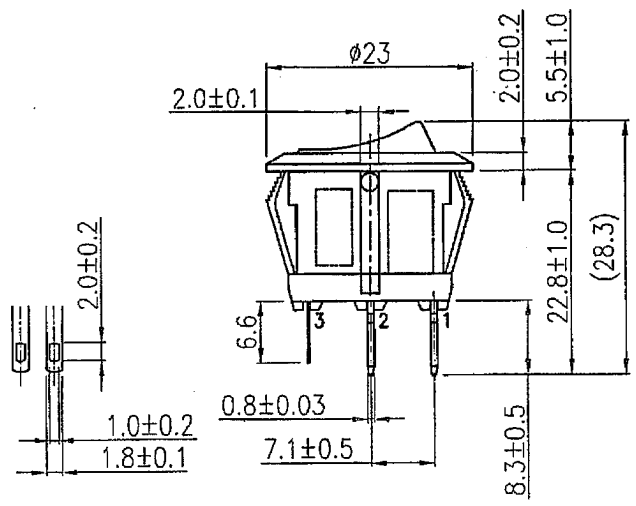
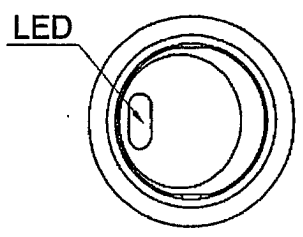


Rating	20A 14VDC
Contact Resistance	50m ohm Max.
Insulation Resistance	DC 500V 100M ohm Min.
Dielectric Strength	AC 1500V 1 minute
Operation Temperature	-25°C~85°C
Switch Function	4P SPST ON-OFF (LED Independent)



**Material:**  
 Frame: Black, Nylon 66  
 Actuator: Black, Nylon 66  
 Lens: Clear, PC  
 LED: Red



原稿  
 2013.12.16  
 研發部

Tolerances ±0.3 Unless Otherwise Specified

Date	Name	Description			No.	
Drawn	Checked	Approved	SCI BOM No	1821260	Model Name	ROCKER SWITCH
周傑輝	<i>[Signature]</i>	<i>[Signature]</i>	Customer No		Model No.	R13-112L-02
12/6/13	12/11-13	12/2-13	Unit	mm	Shin Chin Industrial Co., Ltd.	Rev. 0