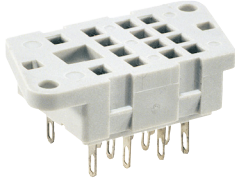


# Sockets and accessories

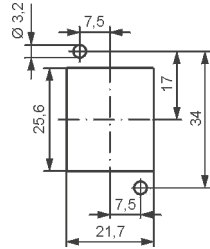
## G4

For R4N

Solder terminals  
40,5 x 21,5 x 18,1 mm  
Four poles  
6 A, 250 V AC



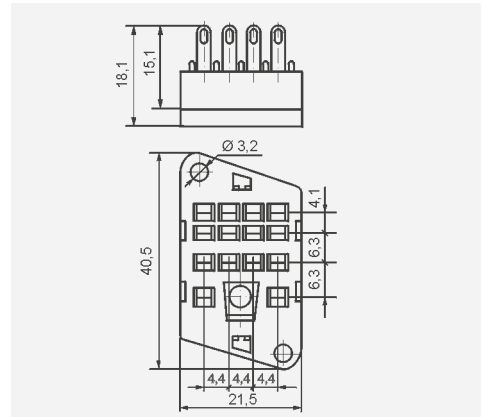
### Pinout of openings on panel mounting



### Accessories

G4 1053

### Dimensions



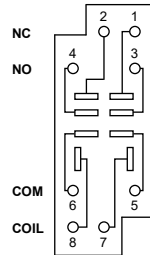
## GZY2G

For RY2

Screw terminals  
Max. tightening moment  
for the terminal: 0,7 Nm  
35 mm rail mount  
acc. to EN 60715  
or on panel mounting  
78,7 x 28 x 32,4 mm  
Two poles  
12 A, 250 V AC



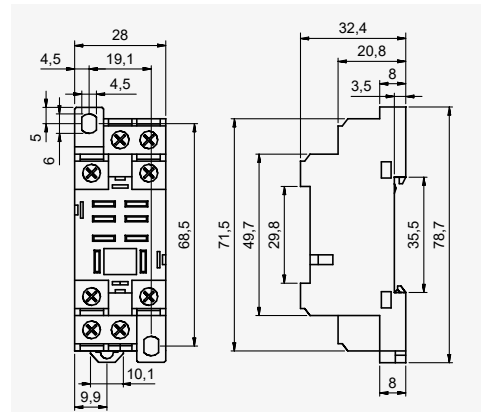
### Connection diagram



### Accessories

GZY2G-0041

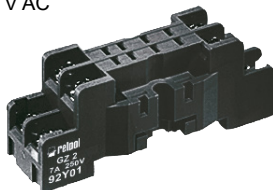
### Dimensions



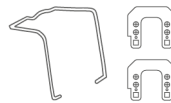
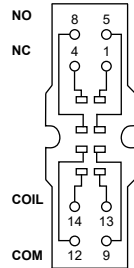
## GZ2

For R2M

Screw terminals  
Max. tightening moment  
for the terminal: 0,7 Nm  
35 mm rail mount  
acc. to EN 60715  
or on panel mounting  
65,2 x 20 x 25 mm  
Two poles  
7 A, 250 V AC



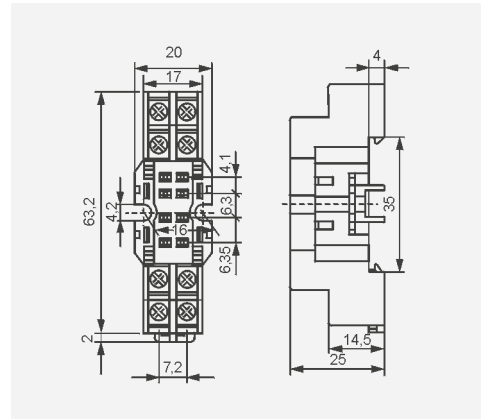
### Connection diagram



### Accessories

GZ2 1060

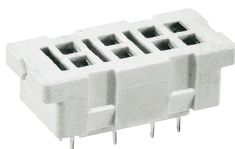
### Dimensions



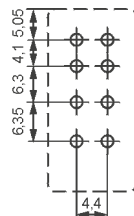
## S2M

For R2M

For PCB  
29,6 x 14 x 10,5 mm  
Two poles  
5 A, 250 V AC



### Pinout



### Accessories

G4 1050

### Dimensions

