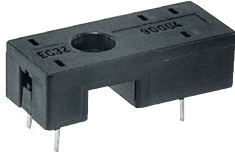


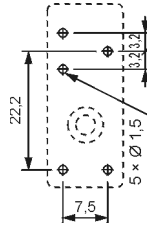
Sockets and accessories

EC 32

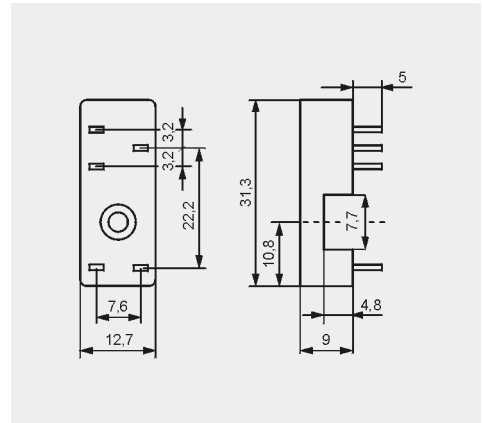
For PCB
31 x 12,7 x 9 mm
One pole, 3,2 mm pinout
12 A, 300 V AC



Pinout



Dimensions



ERC

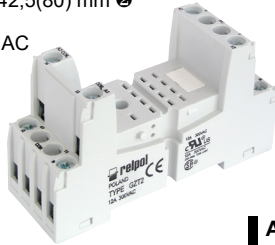
Accessories



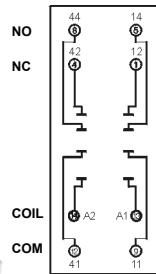
GZT2

For R2N

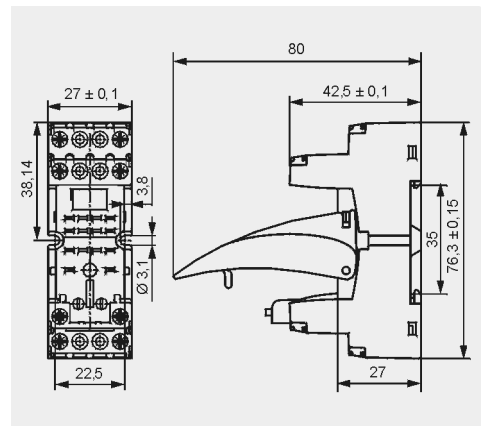
Screw terminals
Max. tightening moment
for the terminal: 0,7 Nm
35 mm rail mount
acc. to EN 60715
or on panel mounting
76,3 x 27 x 42,5(80) mm ②
Two poles
12 A, 300 V AC



Connection diagram



Dimensions



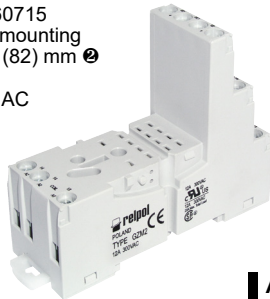
CE c RA US ERC

Accessories ①

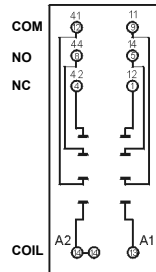
GZM2

For R2N

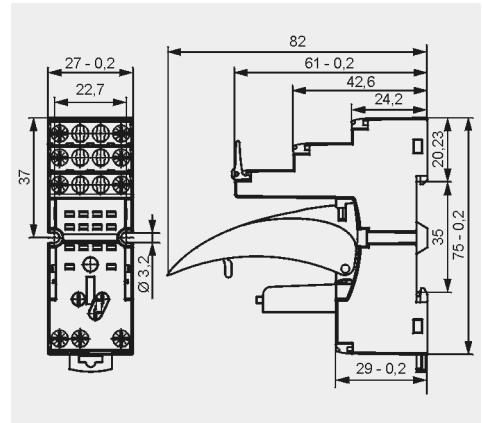
Screw terminals
Max. tightening moment
for the terminal: 0,7 Nm
35 mm rail mount
acc. to EN 60715
or on panel mounting
75 x 27 x 61(82) mm ②
Two poles
12 A, 300 V AC



Connection diagram



Dimensions



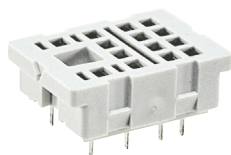
CE c RA US ERC

Accessories ①

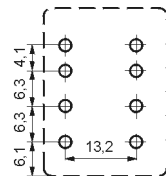
SU4/2D

For R2N

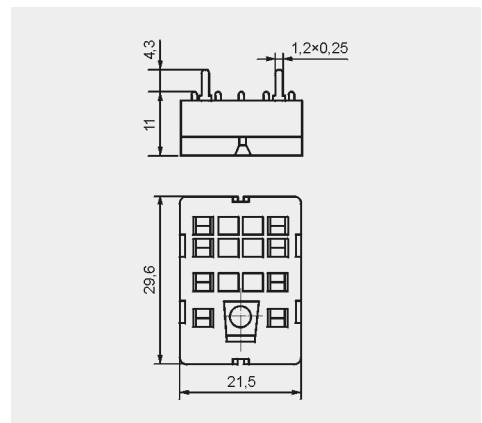
For PCB
29,6 x 21,5 x 11 mm
Two poles
12 A, 250 V AC



Pinout



Dimensions



c RA US ERC

Accessories



G4 1052

① Mounting and sub-assemblies of accessories in the socket; Signalling / protecting modules type M... - see www.repol.com.pl
② In the bracket the height of socket with retainer / retractor clip is shown.