

REV.	DESCRIPTION	DRAWN	CHECKED	APPROVED
A	NEW RELEASE	LJH 09/25/05'		LJC 09/25/05'
B	长端子非针尾宽度0.6更改为0.8	LL 11/29/06'		

NOTES:

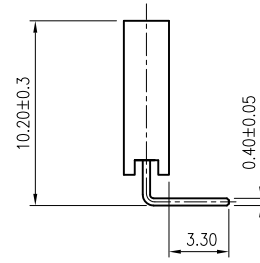
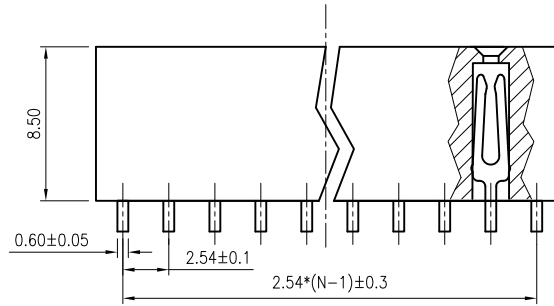
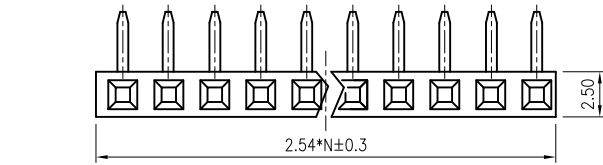
- ELECTRICAL CHARACTERISTICS:
 - CONTACT RESISTANCE: 20mΩ Max. INITIAL.
 - DIELECTRIC WITHSTANDING VOLTAGE: 500V AC(rms) FOR 1 MINUTE.
 - INSULATION RESISTANCE: 1000MΩ Min.
- ENVIRONMENT CHARACTERISTICS:
 - TEMPERATURE: -40°C~+105°C.
- PRODUCT NUMBER CODE:

DS1024- X X X

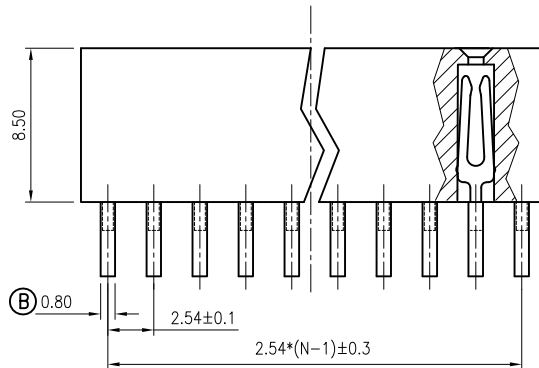
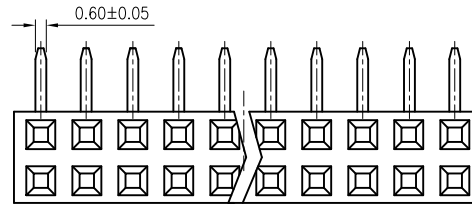
CONTACT PLATING
F1: FULL GOLD FLASH
2: GOLD FLASH + NICKEL

MOUNTING TYPE
R: R/A TYPE

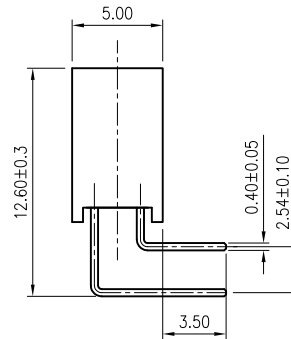
No.OF CONTACTS
1*1-1*40
2*2-2*40



SINGLE ROW
N:NUMBER OF CONTACTS



DUAL ROWS
N:NUMBER OF CONTACTS/2



GENERAL TOLERANCE		ANGLE TOLERANCE		PROJECTION	TITLE
X.	±0.60	X.	±5°		FEMALE HEADER PITCH 2.54MM R/A TYPE
.X	±0.38	.X	±3°	mm	
.XX	±0.25	.XX	±2°	SHEET SIZE	A4 SERIES DS1024 SERIES
DRAWING TYPE	CUSTOMER			晨翔电子有限公司 CONNFLY CONNFLY ELECTRONIC CO., LTD	
SCALE	1:1	SHEET	1 OF 1		
DRAWING NO.	C-DS1024-XXXX				