

BL0307-50-45

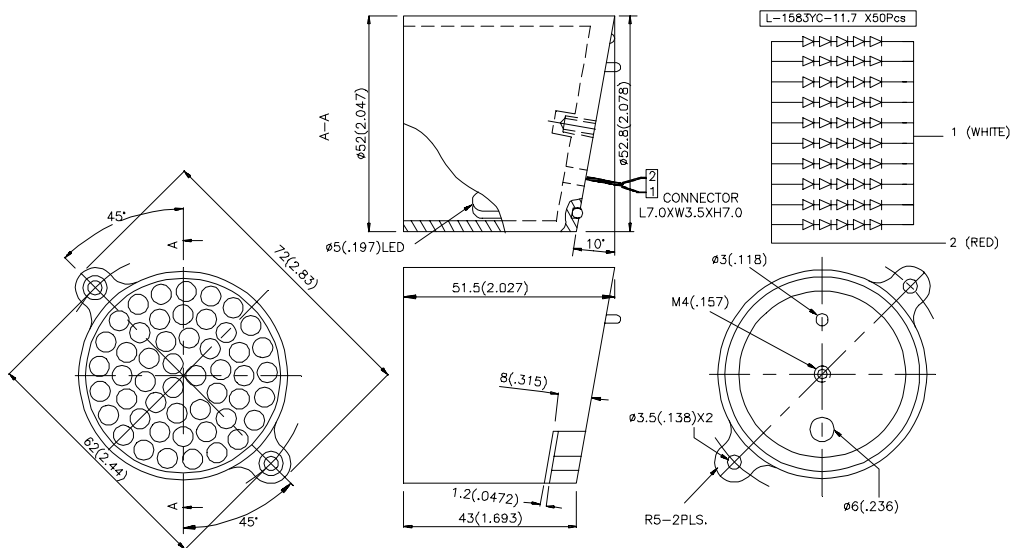
### Features

- WATERPROOF CONSTRUCTION.
- SUITABLE FOR OUTDOOR APPLICATIONS, SIGNBOARD OR MESSAGE BOARD, ETC.
- BOTH SINGLE COLOR AND MULTI-COLOR (RED, GREEN & ORANGE) ARE AVAILABLE.

### Description

The Yellow source color devices are made with Gallium Arsenide Phosphide on Gallium Phosphide Yellow Light Emitting Diode.

### Package Dimensions



#### Notes:

1. All dimensions are in millimeters (inches).
2. Tolerance is  $\pm 0.25(0.01")$  unless otherwise noted.
3. Lead spacing is measured where the lead emerge package.
4. Specifications are subjected to change without notice.

## Electrical / Optical Characteristics at $T_A=25^{\circ}\text{C}$

Symbol	Parameter	Device	Min.	Typ.	Max.	Units	Test Conditions
$I_V$	Luminous Intensity	BL0307-50-45	-	1900	-	mcd	IF=200mA
$\theta$	Viewing Angle		-	40	-	Deg	-
$V_F$	Forward Voltage		-	10.5	12.5	V	IF=200mA
$\lambda_{\text{peak}}$	Peak Wavelength		-	587	-	nm	IF=200mA
$\lambda_D$	Dominant wavelength		-	590	-	nm	IF=200mA
$\Delta\lambda_{1/2}$	Spectral Line Halfwidth		-	35	-	nm	IF=200mA
$I_R$	Reverse Current		-	-	100	$\mu\text{A}$	VR = 5V

## Absolute Maximum Ratings at $T_A=25^{\circ}\text{C}$

Parameter	Type	Units
Power dissipation	2150	mW
DC Forward Current	200	mA
Reverse Voltage	5	V
Operation Temperature	-40 to +70	$^{\circ}\text{C}$
Storage Temperature	-40 to +85	$^{\circ}\text{C}$