

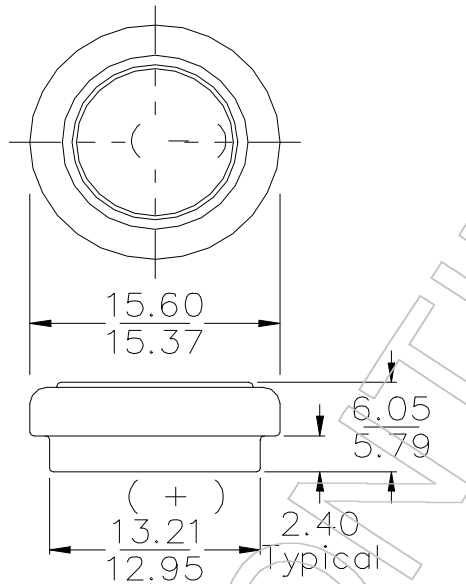


Eveready Battery Company, Inc.

Checkerboard Square
St. Louis, MO 63164
Telephone 1-800-383-7323
Internet: www.energizer.com

Engineering Data

ENERGIZER NO. EPX625



Chemical System: Mercuric Oxide (Zn/HgO)
Designation: ANSI / NEDA-1124MP, IEC-MR9
Voltage: 1.35V
Average Service Capacity (to 0.9 volts): 260 mAh
(Rated Capacity at 2.5K ohms @ 21°C)
Typical Weight: 4.2 grams (0.15 oz.)
Volume: 1.2 cubic centimeters (0.07 cubic in.)

Dimensions (mm)

Millimeters	Inches
2.40	0.094
5.79	0.228
6.05	0.238
12.95	0.510
13.21	0.520
15.37	0.605
15.60	0.614

IMPORTANT NOTICE

This data sheet contains information specific to batteries manufactured at time of its publication. Please contact your Energizer representative for most current information. Contents herein do not constitute a warranty.