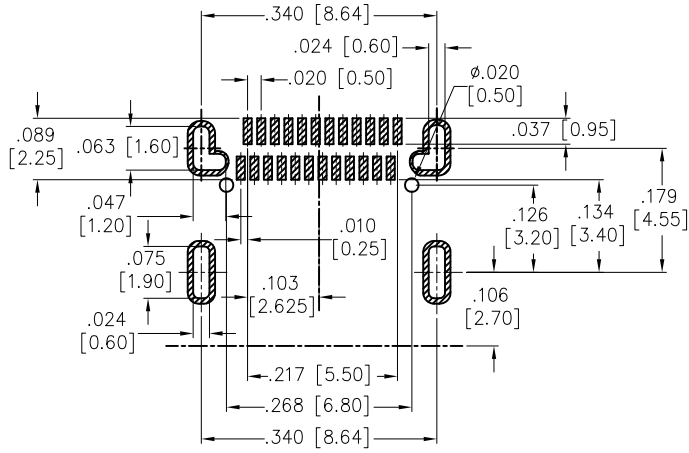
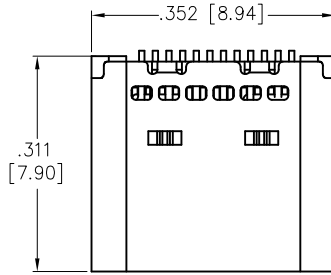
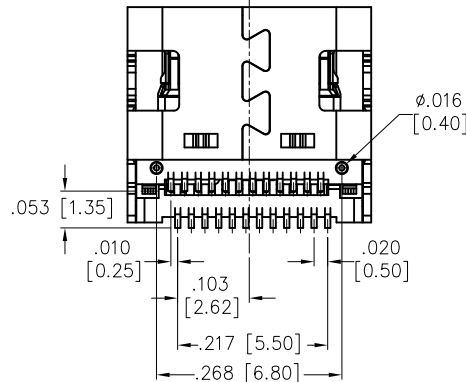
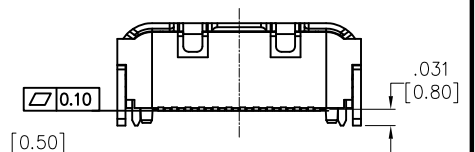
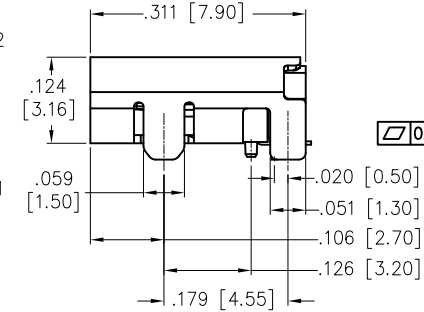
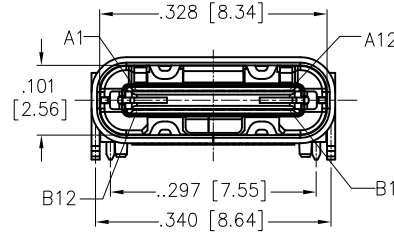


APPROVED: _____
 DATE: _____ TITLE: _____

| | | | | |
|-----|-------|-------------|---------|------|
| Rev | AWO # | Description | Date | Appr |
| - | | PRELIMINARY | 12/7/15 | |



RECOMMENDED PCB LAYOUT



| | | | |
|-----|-------------|-----|-------------|
| A1 | GND | B12 | GND |
| A2 | SSTXP1 | B11 | SSRXP1 |
| A3 | SSTXN1 | B10 | SSRXN1 |
| A4 | VBUS | B9 | VBUS |
| A5 | CC1 | B8 | SBU2 |
| A6 | DP1 | B7 | DN2 |
| A7 | DN1 | B6 | DP2 |
| A8 | SBU1 | B5 | CC2 |
| A9 | VBUS | B4 | VBUS |
| A10 | SSRXN2 | B3 | SSTXN2 |
| A11 | SSRXP2 | B2 | SSTXP2 |
| A12 | GND | B1 | GND |
| PIN | SIGNAL NAME | PIN | SIGNAL NAME |

B SPECIFICATIONS:

Material:
 Insulator: Hi-temp thermoplastic, rated UL 94V-0
 Insulator color: Black
 Contacts: Copper Alloy
 Shell: Stainless Steel, Nickel plated
 Spring: Stainless Steel
 Plating:
 Gold flash over Nickel underplate on contact area,
 Tin over Nickel underplate on solder tails.
 Electrical:

Operating voltage: 100 VAC
 Current rating: 3 A max
 Contact resistance: 40 mohms max
 Insulation resistance: 100 Mohms min

Mechanical:

Insertion force: 5~20 N
 Unmating force: 8~20 N
 Durability: 10,000 cycles
 Temperature Rating:
 Operating temperature: -30°C to +85°C
 Environmental:
 Lead free, RoHS compliant.

PACKAGED ON TAPE & REEL

| | | | |
|---|--------|-------|--------|
| UNLESS OTHERWISE SPECIFIED ALL DIMENSIONS ARE INCHES [MM] TOLERANCES: EXCEPT AS NOTED | | | |
| INCHES | | HOLES | |
| .X | ± .10 | ∅X | ± .10 |
| .XX | ± .020 | ∅XX | ± .015 |
| .XXX | ± .015 | ∅XXX | ± .010 |

| | | |
|-----------|----|---------|
| APPROVALS | | DATE |
| DRAWN | HR | 12/7/15 |
| CHECKED | TW | 12/7/15 |
| APPROVED | | |

ADAM TECH
 909 Rahway Avenue, Union, NJ 07083
 Phone: 908-687-5000 Fax: 908-687-5710

| | | |
|---|-------------------------------------|--------------|
| TITLE UNIVERSAL SERIAL BUS, TYPE C, FEMALE, SMT TYPE, BLACK INSULATOR | | |
| SIZE X | PART NO. USB-C31-S-RA-SMT-BK-T/R | REV. - |
| REF: S00097C | SCALE: NTS | SHEET 1 OF 1 |

