

NOTES:

1. SPECIFICATION

- . Current rating: 3A.
- . Dielectric Strength: 500V For 1 minute
- . Insulation Resistance: 1000MΩ Min.at 500V DC
- . Contact resistance: 50mΩ max.
- . Temperature range: -40°C to +105°C

2. MATERIAL

- . Insulator: thermoplastic(UL 94V-0)
- . Contact: copper alloy
- . Shell: steel

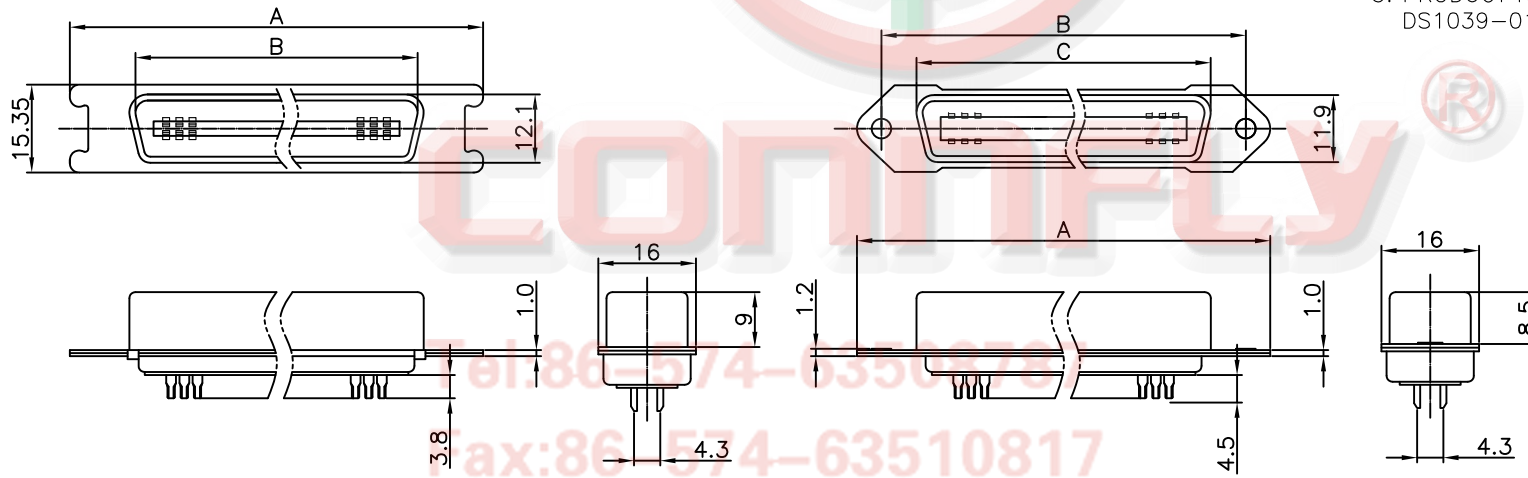
3. PRODUCT NUMBER CODE:

DS1039-01 - X X X X X

- Latch Support
S: W/ Latch
X: W/O Latch
- Contact plating
0: Selective gold flash
1: Selective 10u" gold
3: Selective 30u" gold
- Housing color
L: Blue
W: White
B: Black
- Connector Type
M: male
F: female
- No. of Positions
14 24 36 50

Male SERIES

Female SERIES

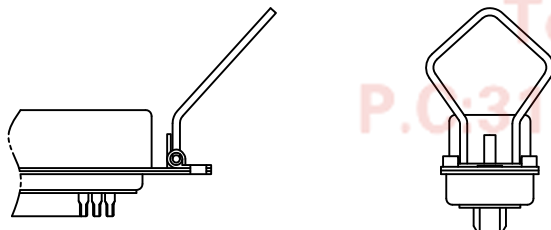


Male dimensions

Positions	A	B
14	38.5	25.6
24	49.3	36.3
36	62.1	49.3
50	77.4	64.4

Female dimensions

Positions	A	B	C
14	43.9	36.0	25.2
24	54.7	46.8	36.0
36	67.7	59.7	48.9
50	82.8	74.9	64.1



WITH LATCH TYPE

GENERAL TOLERANCE		ANGLE TOLERANCE	
X.	±0.60	X.	±5°
.X	±0.38	.X	±3°
.XX	±0.25	.XX	±2°
DRAWING TYPE	CUSTOMER		
SCALE	1:1	SHEET	1 OF 1
DRAWING NO.	C-DS1039-01-XXXXX		

PROJECTION		TITLE	CENTRONIC CONNECTOR
UNITS	mm	SOLDER TYPE	
SHEET SIZE	A4	SERIES	DS1039-01

晨翔电子有限公司
CONNFLY CONNFLY ELECTRONIC CO. LTD

