

Sockets and accessories

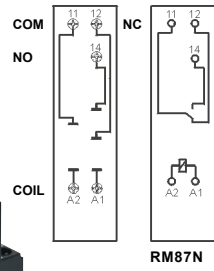
GZS92

For RM87N, RM87N sensitive

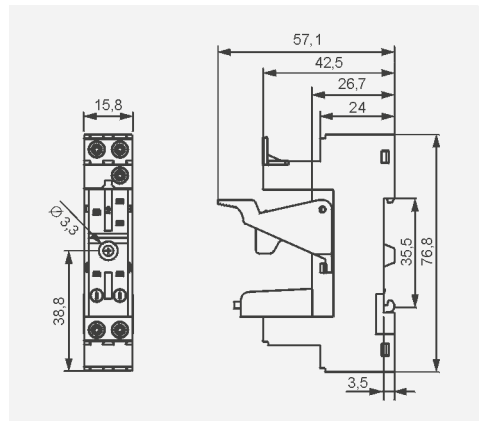
Screw terminals
Max. tightening moment
for the terminal: 0,5 Nm
35 mm rail mount
acc. to EN 60715
or on panel mounting
76,8 x 15,8 x 42,5(57,1) mm ②
One pole, 3,5 mm pinout
12 A, 300 V AC



Connection diagrams



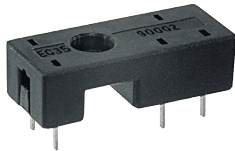
Dimensions



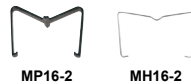
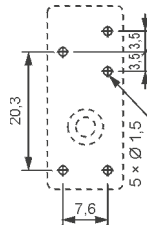
EC 35

For RM87N, RM87N sensitive

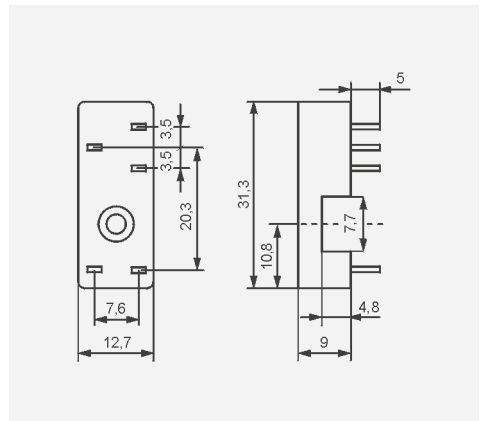
For PCB
31,3 x 12,7 x 9 mm
One pole, 3,5 mm pinout
12 A, 300 V AC



Pinout



Dimensions



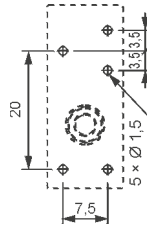
GD35

For RM87N, RM87N sensitive

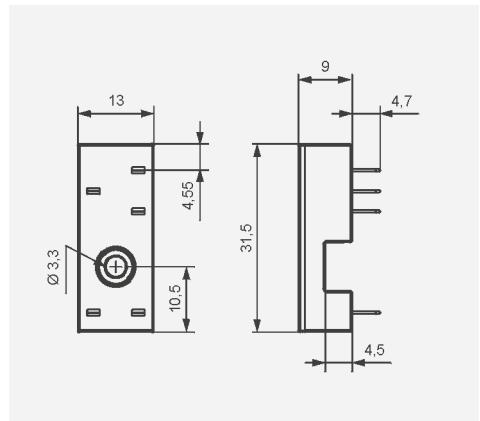
For PCB
31,5 x 13 x 9 mm
One pole, 3,5 mm pinout
12 A, 300 V AC



Pinout



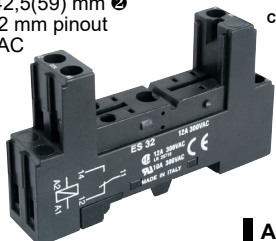
Dimensions



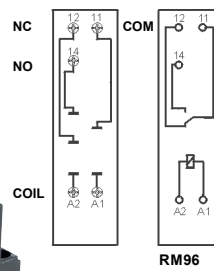
ES 32

For RM96 1 CO

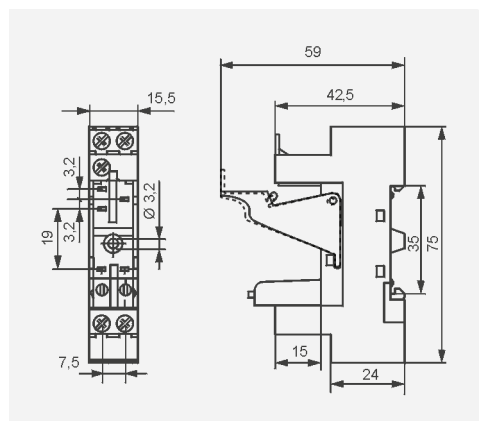
Screw terminals
Max. tightening moment
for the terminal: 0,5 Nm
35 mm rail mount
acc. to EN 60715
or on panel mounting
75 x 15,5 x 42,5(59) mm ②
One pole, 3,2 mm pinout
12 A, 300 V AC



Connection diagrams



Dimensions



① Mounting and sub-assemblies of accessories in the socket; Signalling / protecting modules type M... - see www.repol.com.pl
② In the bracket the height of socket with retainer / retractor clip is shown.