

BL0307-50-46

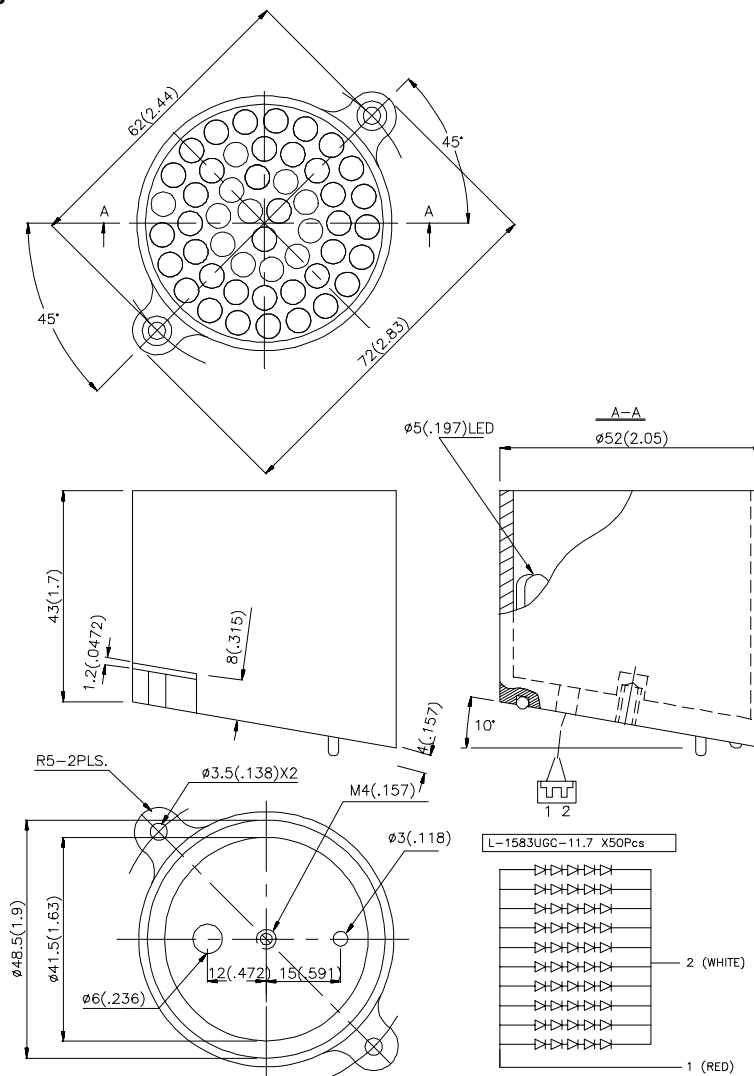
Features

- WATERPROOF CONSTRUCTION.
- SUITABLE FOR OUTDOOR APPLICATIONS, SIGNBOARD OR MESSAGE BOARD, ETC.
- BOTH SINGLE COLOR AND MULTI-COLOR (RED, GREEN & ORANGE) ARE AVAILABLE.

Description

The Green source color devices are made with Gallium Phosphide Green Light Emitting Diode.

Package Dimensions



Notes:

1. All dimensions are in millimeters (inches).
2. Tolerance is $\pm 0.25(0.01")$ unless otherwise noted.
3. Lead spacing is measured where the lead emerge package.
4. Specifications are subjected to change without notice.

Electrical / Optical Characteristics at $T_A=25^{\circ}\text{C}$

Symbol	Parameter	Device	Min.	Typ.	Max.	Units	Test Conditions
I_V	Luminous Intensity	BL0307-50-46	10000	15000	-	mcd	$I_F=200\text{mA}$
$2\theta_{1/2}$	Viewing Angle		-	40	-	Deg	-
V_F	Forward Voltage		-	11	12.5	V	$I_F=200\text{mA}$
λ_{peak}	Peak Wavelength		-	562	-	nm	$I_F=200\text{mA}$
λ_D	Dominant wavelength		-	568	-	nm	$I_F=200\text{mA}$
$\Delta\lambda_{1/2}$	Spectral Line Half-width		-	30	-	nm	$I_F=200\text{mA}$
I_R	Reverse Current		-	-	100	μA	$V_R = 5\text{V}$

Absolute Maximum Ratings at $T_A=25^{\circ}\text{C}$

Parameter	Type	Units
Power dissipation	3000	mW
DC Forward Current	250	mA
Reverse Voltage	5	V
Operating Temperature	-40°C To +70°C	
Storage Temperature	-40°C To +85°C	